
Specification for Structural Joints Using ASTM A325 or A490 Bolts

June 30, 2004

Supersedes the June 23, 2000 *Specification for
Structural Joints Using ASTM A325 or A490 Bolts.*

Prepared by RCSC Committee A.1—Specifications and approved by
the Research Council on Structural Connections.



RESEARCH COUNCIL ON STRUCTURAL CONNECTIONS
www.boltcouncil.org

c/o American Institute of Steel Construction, Inc.
One East Wacker Drive, Suite 3100, Chicago, Illinois 60601-2001

Copyright © 2004

by

Research Council on Structural Connections

All rights reserved. This book or any part thereof
must not be reproduced in any form without
the written permission of the publisher.

The information presented in this publication has been prepared in accordance with recognized engineering principles and is for general information only. While it is believed to be accurate, this information should not be used or relied upon for any specific application without competent professional examination and verification of its accuracy, suitability, and applicability by a licensed engineer, architect or other design professional. The publication of the material contained herein is not intended as a representation or warranty on the part of the Research Council on Structural Connections or of any other person named herein, that this information is suitable for any general or particular use or of freedom from infringement of any patent or patents. Anyone making use of this information assumes all liability arising from such use.

Caution must be exercised when relying upon other specifications and codes developed by other bodies and incorporated by reference herein since such material may be modified or amended from time to time subsequent to the printing of this edition. The Research Council on Structural Connections bears no responsibility for such material other than to refer to it and incorporate it by reference at the time of the initial publication of this edition.

Printed in the United States of America

PREFACE

The purpose of the Research Council on Structural Connections (RCSC) is:

- (1) To stimulate and support such investigation as may be deemed necessary and valuable to determine the suitability, strength and behavior of various types of structural connections;
- (2) To promote the knowledge of economical and efficient practices relating to such structural connections; and,
- (3) To prepare and publish related standards and such other documents as necessary to achieving its purpose.

The Council membership consists of qualified structural engineers from academic and research institutions, practicing design engineers, suppliers and manufacturers of fastener components, fabricators, erectors and code-writing authorities.

The first Specification approved by the Council, called the *Specification for Assembly of Structural Joints Using High Tensile Steel Bolts*, was published in January 1951. Since that time the Council has published fifteen successive editions. Each was developed through the deliberations and approval of the full Council membership and based upon past successful usage, advances in the state of knowledge and changes in engineering design practice. This edition of the Council's *Specification for Structural Joints Using ASTM A325 or A490 Bolts* continues the tradition of earlier editions. The major changes are:

- Sections 5.1, 5.2, and 5.3 were editorially revised to clarify strength requirements of slip critical connections.
- Section 6.2.1 was modified to permit the use of A490 type bolts, with round heads equal or larger in diameter than ASTM F1852 heads, without F436 hardened washers.
- Table 6.1, footnote d, was added to clarify use of non-hardened plate washer to be used in conjunction with an ASTM F436 hardened washer.
- Commentary Table C-2.1 bolt head and nut dimension locations F and W as shown in the artwork Figure C-2.2 was corrected.

In addition, typographical changes have been made throughout this Specification.

By the Research Council on Structural Connections,

Raymond H. R. Tide
Chairman

Geoffrey L. Kulak
Vice Chairman

Emile W. J. Troup
Secretary/Treasurer

Abolhassan Astaneh-Asl
Joseph G. Bahadrian
Peter C. Birkemoe

David W. Bogaty
Charles J. Carter
Helen Chen

Robert J. Connor
Nick E. Deal
Robert J. Dexter

Continued on page iv.

Robert O. Disque
James M. Doyle
G. Dean Droddy
Edward R. Estes, Jr.
John W. Fisher
Karl H. Frank
Michael C. Friel
Rodney D. Gibble
Michael I. Gilmor
Gilbert Y. Grondin
Roger D. Hamilton
Allen J. Harrold
Ian C. Hodgson
Mark V. Holland
Donald L. Johnson
Charles E. Hundley
Kaushik A. Iyer

Peter F. Kasper
Lawrence A. Kloiber
Peter Kneen
Richard F. Knoblock
Chad M. Larson
Daeyong Lee
Jean-Claude Legault
Kenneth B. Lohr
Richard W. Marshall
Jonathan C. McGormley
David L. McKenzie
Greg Miazga
William A. Milek, Jr.
Eugene R. Mitchell
Heath E. Mitchell
William H. Munse
Thomas M. Murray

Rex V. Owen
Frederick J. Palmer
Andrew E. Pfeifer
Thomas J. Schlafly
Gerald E. Schroeder
David F. Sharp
Robert E. Shaw, Jr.
W. Lee Shoemaker
James A. Swanson
Arun A. Syam
Thomas S. Tarp, Jr.
William A. Thornton
Floyd J. Vissat
I. Wayne Wallace
Charles J. Wilson
Ted W. Winneberger
Joseph A. Yura

TABLE OF CONTENTS

SYMBOLSvii
GLOSSARYix
SECTION 1. GENERAL REQUIREMENTS1
1.1. Scope1
1.2. Loads, Load Factors and Load Combinations1
1.3. Referenced Standards and Specifications2
1.4. Drawing Information3
SECTION 2. FASTENER COMPONENTS5
2.1. Manufacturer Certification of Fastener Components5
2.2. Storage of Fastener Components5
2.3. Heavy-Hex Structural Bolts6
2.4. Heavy-Hex Nuts12
2.5. Washers13
2.6. Washer-Type Indicating Devices13
2.7. Twist-Off-Type Tension-Control Bolt Assemblies14
2.8. Alternative-Design Fasteners14
SECTION 3. BOLTED PARTS16
3.1. Connected Plies16
3.2. Faying Surfaces16
3.3. Bolt Holes20
3.4. Burrs22
SECTION 4. JOINT TYPE23
4.1. Snug-Tightened Joints25
4.2. Pretensioned Joints25
4.3. Slip-Critical Joints26
SECTION 5. LIMIT STATES IN BOLTED JOINTS28
5.1. Design Shear and Tensile Strengths29
5.2. Combined Shear and Tension32
5.3. Design Bearing Strength at Bolt Holes32
5.4. Design Slip Resistance34
5.5. Tensile Fatigue38

SECTION 6. USE OF WASHERS40
6.1. Snug-Tightened Joints40
6.2. Pretensioned Joints and Slip-Critical Joints40
SECTION 7. PRE-INSTALLATION VERIFICATION43
7.1. Tension Calibrator43
7.2. Required Testing43
SECTION 8. INSTALLATION46
8.1. Snug-Tightened Joints46
8.2. Pretensioned Joints46
SECTION 9. INSPECTION53
9.1. Snug-Tightened Joints53
9.2. Pretensioned Joints53
9.3. Slip-Critical Joints56
SECTION 10. ARBITRATION57
APPENDIX A. TESTING METHOD TO DETERMINE THE SLIP COEFFICIENT FOR COATINGS USED IN BOLTED JOINTS59
APPENDIX B. ALLOWABLE STRESS DESIGN (ASD) ALTERNATIVE70
REFERENCES75
INDEX77

SYMBOLS

The following symbols are used in this Specification.

- A_b Cross-sectional area based upon the nominal diameter of bolt, in.²
- D Slip probability factor as described in Section 5.4.2
- D_u Multiplier that reflects the ratio of the mean installed bolt pretension to the specified minimum bolt pretension T_m as described in Section 5.4.1
- F_n Nominal strength (per unit area), ksi
- F_u Specified minimum tensile strength (per unit area), ksi
- I Moment of inertia of the built-up member about the axis of buckling (see the Commentary to Section 5.4), in.⁴
- L Total length of the built-up member (see the Commentary to Section 5.4), in.
- L_c Clear distance, in the direction of load, between the edge of the hole and the edge of the adjacent hole or the edge of the material, in.
- N_b Number of bolts in the joint
- P_u Required strength in compression, kips; Axial compressive force in the built-up member (see the Commentary to Section 5.4), kips
- Q First moment of area of one component about the axis of buckling of the built-up member (see the Commentary to Section 5.4), in.³
- R_n Nominal strength, kips
- R_s Service-load slip resistance, kips
- T Applied service load in tension, kips
- T_m Specified minimum bolt pretension (for pretensioned joints as specified in Table 8.1), kips
- T_u Required strength in tension (factored tensile load), kips
- V_u Required strength in shear (factored shear load), kips
- d_b Nominal diameter of bolt, in.
- t Thickness of the connected material, in.

t' Total thickness of fillers or shims (see Section 5.1), in.

k_s Slip coefficient for an individual specimen determined in accordance with Appendix A

ϕ Resistance factor

ϕR_n Design strength, kips

μ Mean slip coefficient

GLOSSARY

The following terms are used in this Specification. Where used, they are italicized to alert the user that the term is defined in this Glossary.

Coated Faying Surface. A *faying surface* that has been primed, primed and painted or protected against corrosion, except by hot-dip galvanizing.

Connection. An assembly of one or more *joints* that is used to transmit forces between two or more members.

Contractor. The party or parties responsible to provide, prepare and assemble the fastener components and connected parts described in this Specification.

Design Strength. ϕR_n , the resistance provided by an element or *connection*; the product of the *nominal strength* R_n and the resistance factor ϕ .

Engineer of Record. The party responsible for the design of the structure and for the approvals that are required in this Specification (see Section 1.4 and the corresponding Commentary).

Fastener Assembly. An assembly of fastener components that is supplied, tested and installed as a unit.

Faying Surface. The plane of contact between two plies of a *joint*.

Firm Contact. The condition that exists on a *faying surface* when the plies are solidly seated against each other, but not necessarily in continuous contact.

Galvanized Faying Surface. A *faying surface* that has been hot-dip galvanized.

Grip. The total thickness of the plies of a *joint* through which the bolt passes, exclusive of washers or direct-tension indicators.

Guide. The *Guide to Design Criteria for Bolted and Riveted Joints*, 2nd Edition (Kulak et al., 1987).

High-Strength Bolt. An ASTM A325 or A490 bolt, an ASTM F1852 twist-off-type tension-control bolt or an alternative-design fastener that meets the requirements in Section 2.8.

Inspector. The party responsible to ensure that the *contractor* has satisfied the provisions of this Specification in the work.

Joint. A bolted assembly with or without collateral materials that is used to join two structural elements.

Lot. In this Specification, the term *lot* shall be taken as that given in the ASTM Standard as follows:

Product	ASTM Standard	See Lot Definition in Section
Bolts	A325	9.4
	A490	11.3.2 or 11.4.2
Twist-off-type tension control bolt assemblies	F1852	13.4
Nuts	A563	9.2
Washers	F436	9.2
Compressible-washer-type direct tension indicators	F959	10.2.2

Manufacturer. The party or parties that produce the components of the *fastener assembly*.

Mean Slip Coefficient. μ , the ratio of the frictional shear load at the *faying surface* to the total normal force when slip occurs.

Nominal Strength. The capacity of a structure or component to resist the effects of loads, as determined by computations using the specified material strengths and dimensions and equations derived from accepted principles of structural mechanics or by field tests or laboratory tests of scaled models, allowing for modeling effects and differences between laboratory and field conditions.

Pretensioned Joint. A *joint* that transmits shear and/or tensile loads in which the bolts have been installed in accordance with Section 8.2 to provide a pretension in the installed bolt.

Protected Storage. The continuous protection of fastener components in closed containers in a protected shelter as described in the Commentary to Section 2.2.

Prying Action. Lever action that exists in *connections* in which the line of application of the applied load is eccentric to the axis of the bolt, causing deformation of the fitting and an amplification of the axial tension in the bolt.

Required Strength. The load effect acting on an element or *connection* determined by structural analysis from the factored loads using the most appropriate critical load combination.

Routine Observation. Periodic monitoring of the work in progress.

Shear/Bearing Joint. A *snug-tightened joint* or *pretensioned joint* with bolts that transmit shear loads and for which the design criteria are based upon the shear strength of the bolts and the bearing strength of the connected materials.

Slip-Critical Joint. A *joint* that transmits shear loads or shear loads in combination with tensile loads in which the bolts have been installed in accordance with Section 8.2 to

provide a pretension in the installed bolt (clamping force on the *faying surfaces*), and with *faying surfaces* that have been prepared to provide a calculable resistance against slip.

Snug-Tightened Joint. A *joint* in which the bolts have been installed in accordance with Section 8.1. The snug-tightened condition is the tightness that is attained with a few impacts of an impact wrench or the full effort of an ironworker using an ordinary spud wrench to bring the plies into *firm contact*.

Start of Work. Any time prior to the installation of *high-strength bolts* in structural *connections* in accordance with Section 8.

Sufficient Thread Engagement. Having the end of the bolt extending beyond or at least flush with the outer face of the nut; a condition that develops the strength of the bolt.

Supplier. The party that sells the fastener components to the party that will install them in the work.

Tension Calibrator. A calibrated tension-indicating device that is used to verify the acceptability of the pretensioning method when a *pretensioned joint* or *slip-critical joint* is specified.

Uncoated Faying Surface. A *faying surface* that has neither been primed, painted, nor galvanized and is free of loose scale, dirt and other foreign material.

NOTES

**SPECIFICATION FOR STRUCTURAL JOINTS
USING ASTM A325 OR A490 BOLTS
June 30, 2004**

SECTION 1. GENERAL REQUIREMENTS

1.1. Scope

This Specification covers the design of bolted *joints* and the installation and inspection of the assemblies of fastener components listed in Section 1.3, the use of alternative-design fasteners as permitted in Section 2.8 and alternative washer-type indicating devices as permitted in Section 2.6.2, in structural steel *joints*. This Specification relates only to those aspects of the connected materials that bear upon the performance of the fastener components. The Symbols, Glossary and Appendices are a part of this Specification.

Commentary:

This Specification deals principally with two strength grades of *high-strength bolts*, ASTM A325 and A490, and with their design, installation and inspection in structural steel *joints*. Equivalent fasteners, however, such as ASTM F1852 (equivalent to ASTM A325) twist-off-type tension-control bolt assemblies, are also covered. These provisions may not be relied upon for high-strength fasteners of other chemical composition, mechanical properties, or size. These provisions do not apply when material other than steel is included in the *grip*; nor are they applicable to anchor rods.

This Specification relates only to the performance of fasteners in structural steel *joints* and those few aspects of the connected material that affect this performance. Many other aspects of *connection* design and fabrication are of equal importance and must not be overlooked. For more general information on design and issues relating to *high-strength bolting* and the connected material, refer to current steel design textbooks and the *Guide to Design Criteria for Bolted and Riveted Joints*, 2nd Edition (Kulak et al., 1987).

1.2. Loads, Load Factors and Load Combinations

The design and construction of the structure shall conform to an applicable load and resistance factor design specification for steel structures. Because factored load combinations account for the reduced probabilities of maximum loads acting concurrently, the *design strengths* given in this Specification shall not be increased. Appendix B is included as an alternative approach.

Commentary:

This Specification is written in the load and resistance factor design (LRFD) format, which provides a method of proportioning structural components such that no applicable limit state is exceeded when the structure is subject to all appropriate load combinations. When a structure or structural component ceases to fulfill the intended purpose in some way, it is said to have exceeded a limit state. Strength limit states concern maximum load-carrying capability, and are related to

safety. Serviceability limit states are usually related to performance under normal service conditions, and usually are not related to strength or safety. The term “resistance” includes both strength limit states and serviceability limit states.

The *design strength* ϕR_n is the *nominal strength* R_n multiplied by the resistance factor ϕ . The factored load is the sum of the nominal loads multiplied by load factors, with due recognition of load combinations that account for the improbability of simultaneous occurrence of multiple transient load effects at their respective maximum values. The *design strength* ϕR_n of each structural component or assemblage must equal or exceed the *required strength* (V_u , T_u , etc.).

Although loads, load factors and load combinations are not explicitly specified in this Specification, the resistance factors herein are based upon those specified in ASCE 7. When the design is governed by other load criteria, the resistance factors specified herein should be adjusted as appropriate.

1.3. Referenced Standards and Specifications

The following standards and specifications are referenced herein:

American Institute of Steel Construction

Load and Resistance Factor Design Specification for Structural Steel Buildings,
December 27, 1999

American National Standards Institute

ANSI/ASME B18.2.6-96 *Fasteners for Use in Structural Applications*

American Society for Testing and Materials

ASTM A123-97a *Standard Specification for Zinc (Hot-Dip Galvanized) Coatings on Iron and Steel Products*

ASTM A153-98 *Standard Specification for Zinc Coating (Hot-Dip) on Iron and Steel Hardware*

ASTM A194-98b *Specification for Carbon and Alloy Steel Nuts for Bolts for High Pressure or High-Temperature Service, or Both*

ASTM A325-97 *Standard Specification for Structural Bolts, Steel, Heat Treated, 120/105 ksi Minimum Tensile Strength*

ASTM A490-97 *Standard Specification for Heat-Treated Steel Structural Bolts, 150 ksi Minimum Tensile Strength*

ASTM A563-97 *Standard Specification for Carbon and Alloy Steel Nuts*

ASTM B695-91¹ *Standard Specification for Coatings of Zinc Mechanically Deposited on Iron and Steel*

¹ Reapproved 1997.

ASTM F436-93 *Standard Specification for Hardened Steel Washers*

ASTM F959-99a *Standard Specification for Compressible-Washer-Type Direct Tension Indicators for Use with Structural Fasteners*

ASTM F1852-98 “*Twist off*” *Type Tension Control Structural Bolt/Nut/Washer Assemblies, Steel, Heat Treated, 120/105 ksi Minimum Tensile Strength*

American Society of Civil Engineers

ASCE 7-98 *Minimum Design Loads for Buildings and Other Structures*

SSPC: The Society for Protective Coatings

SSPC-PA2-96 *Measurement of Dry Coating Thickness With Magnetic Gages*

Commentary:

Familiarity with the referenced AISC, ASCE, ASME, ASTM and SSPC specification requirements is necessary for the proper application of this Specification. The discussion of referenced specifications in this Commentary is limited to only a few frequently overlooked or misunderstood items.

1.4. Drawing Information

The *Engineer of Record* shall specify the following information in the contract documents

- (1) The ASTM designation and type (Section 2) of bolt to be used;
- (2) The *joint* type (Section 4);
- (3) The required class of slip resistance if *slip-critical joints* are specified (Section 4); and,
- (4) Whether slip is checked at the factored-load level or the service-load level, if *slip-critical joints* are specified (Section 5).

Commentary:

A summary of the information that the *Engineer of Record* is required to provide in the contract documents is provided in this Section. The parenthetical reference after each listed item indicates the location of the actual requirement in this Specification. In addition, the approval of the *Engineer of Record* is required in this Specification in the following cases:

- (1) For the reuse of non-galvanized ASTM A325 bolts (Section 2.3.3);
- (2) For the use of alternative washer-type indicating devices that differ from those that meet the requirements of ASTM F959, including the corresponding installation and inspection requirements that are provided by the *manufacturer* (Section 2.6.2);
- (3) For the use of alternative-design fasteners, including the corresponding installation and inspection requirements that are provided by the *manufacturer* (Section 2.8);

- (4) For the use of faying-surface coatings in *slip-critical joints* that provide a *mean slip coefficient* determined per Appendix A, but differing from Class A or Class B (Section 3.2.2(b));
- (5) For the use of thermal cutting in the production of bolt holes (Section 3.3);
- (6) For the use of oversized (Section 3.3.2), short-slotted (Section 3.3.3) or long slotted holes (Section 3.3.4) in lieu of standard holes;
- (7) For the use of a value of D_u other than 1.13 (Section 5.4.1); and,
- (8) For the use of a value of D other than 0.80 (Section 5.4.2).

SECTION 2. FASTENER COMPONENTS

2.1. Manufacturer Certification of Fastener Components

Manufacturer certifications documenting conformance to the applicable specifications required in Sections 2.3 through 2.8 for all fastener components used in the *fastener assemblies* shall be available to the *Engineer of Record* and *inspector* prior to assembly or erection of structural steel.

Commentary:

Certification by the *manufacturer* or *supplier* of *high-strength bolts*, nuts, washers and other components of the *fastener assembly* is required to ensure that the components to be used are identifiable and meet the requirements of the applicable ASTM Specifications.

2.2. Storage of Fastener Components

Fastener components shall be protected from dirt and moisture in closed containers at the site of installation. Only as many fastener components as are anticipated to be installed during the work shift shall be taken from *protected storage*. Fastener components that are not incorporated into the work shall be returned to *protected storage* at the end of the work shift. Fastener components shall not be cleaned or modified from the as-delivered condition.

Fastener components that accumulate rust or dirt shall not be incorporated into the work unless they are requalified as specified in Section 7. ASTM F1852 twist-off-type tension-control bolt assemblies and alternative-design fasteners that meet the requirements in Section 2.8 shall not be relubricated, except by the *manufacturer*.

Commentary:

Protected storage requirements are specified for *high-strength bolts*, nuts, washers and other fastener components with the intent that the condition of the components be maintained as nearly as possible to the as-manufactured condition until they are installed in the work. This involves:

- (1) The storage of the fastener components in closed containers to protect from dirt and corrosion;
- (2) The storage of the closed containers in a protected shelter;
- (3) The removal of fastener components from *protected storage* only as necessary; and,
- (4) The prompt return of unused fastener components to *protected storage*.

To facilitate manufacture, prevent corrosion and facilitate installation, the *manufacturer* may apply various coatings and oils that are present in the as manufactured condition. As such, the condition of supplied fastener components or the *fastener assembly* should not be altered to make them unsuitable for pre-tensioned installation.

If fastener components become dirty, rusty, or otherwise have their as received condition altered, they may be unsuitable for pre-tensioned installation.

It is also possible that a *fastener assembly* may not pass the pre-installation verification requirements of Section 7. Except for ASTM F1852 twist-off-type tension-control bolt assemblies (Section 2.7) and some alternative-design fasteners (Section 2.8), fastener components can be cleaned and lubricated by the fabricator or the erector. Because the acceptability of their installation is dependent upon specific lubrication, ASTM F1852 twist-off-type tension-control bolt assemblies and some alternative-design fasteners are suitable only if the *manufacturer* lubricates them.

2.3. Heavy-Hex Structural Bolts

- 2.3.1. Specifications: Heavy-hex structural bolts shall meet the requirements of ASTM A325 or ASTM A490. The *Engineer of Record* shall specify the ASTM designation and type of bolt (see Table 2.1) to be used.
- 2.3.2. Geometry: Heavy-hex structural bolt dimensions shall meet the requirements of ANSI/ASME B18.2.6. The bolt length used shall be such that the end of the bolt extends beyond or is at least flush with the outer face of the nut when properly installed.

Table 2.1. Acceptable ASTM A563 Nut Grade and Finish and ASTM F436 Washer Type and Finish

ASTM Desig.	Bolt Type	Bolt Finish ^d	ASTM A563 nut grade and finish ^d	ASTM F436 washer type and finish ^{a,d}
A325	1	Plain (uncoated)	C, C3, D, DH ^c and DH3; plain	1; plain
		Galvanized	DH ^c ; galvanized And lubricated	1; galvanized
	3	Plain	C3 and DH3; plain	3; plain
F1852	1	Plain (uncoated)	C, C3, DH ^c and DH3; plain	1; plain ^b
		Mechanically Galvanized	DH ^c ; mechanically galvanized and lubricated	1; mechanically galvanized ^b
	3	Plain	C3 and DH3; plain	3; plain ^b
A490	1	Plain	DH ^c and DH3; plain	1; plain
	3	Plain	DH3; plain	3; plain

^a Applicable only if washer is required in Section 6.

^b Required in all cases under nut per Section 6.

^c The substitution of ASTM A194 grade 2H nuts in place of ASTM A563 grade DH nuts is permitted.

^d "Galvanized" as used in this table refers to hot-dip galvanizing in accordance with ASTM A153 or mechanical galvanizing in accordance with ASTM B695.

- 2.3.3. Reuse: ASTM A490 bolts and galvanized ASTM A325 bolts shall not be reused. When approved by the *Engineer of Record*, black ASTM A325 bolts are permitted to be reused. Touching up or re-tightening bolts that may have been loosened by the installation of adjacent bolts shall not be considered to be a reuse.

Commentary:

ASTM A325 and ASTM A490 currently provide for two types (according to metallurgical classification) of *high-strength bolts*, supplied in diameters from ½ in. to 1½ in. inclusive. Type 1 covers medium carbon steel for ASTM A325 bolts and alloy steel for ASTM A490 bolts. Type 3 covers *high-strength bolts* that have improved atmospheric corrosion resistance and weathering characteristics. (Reference to Type 2 ASTM A325 and Type 2 A490 bolts, which appeared in previous editions of this Specification, has been removed following the removal of similar reference within the ASTM A325 and A490 Specifications). When the bolt type is not specified, either Type 1 or Type 3 may be supplied at the option of the *manufacturer*. Note that ASTM F1852 twist-off-type tension-control bolt assemblies may be manufactured with a button head or hexagonal head; other requirements for these *fastener assemblies* are found in Section 2.7.

Regular heavy-hex structural bolts and twist-off-type tension-control bolt assemblies are required by ASTM Specifications to be distinctively marked. Certain markings are mandatory. In addition to the mandatory markings, the *manufacturer* may apply additional distinguishing markings. The mandatory and sample optional markings are illustrated in Figure C-2.1.

ASTM Specifications permit the galvanizing of ASTM A325 bolts but not ASTM A490 bolts. Similarly, the application of zinc to ASTM A490 bolts by metallizing or mechanical coating is not permitted because the effect of mechanical galvanizing on embrittlement and delayed cracking of ASTM A490 bolts has not been fully investigated to date.












Galvanized *high-strength bolts* and nuts must be considered as a manufactured *fastener assembly*. Insofar as the hot-dip galvanized bolt and nut assembly is concerned, four principal factors must be considered so that the provisions of this Specification are understood and properly applied. These are:

- (1) The effect of the hot-dip galvanizing process on the mechanical properties of high-strength steels;
- (2) The effect of over-tapping for hot-dip galvanized coatings on the nut stripping strength;
- (3) The effect of galvanizing and lubrication on the torque required for pretensioning; and,
- (4) Shipping requirements.

Birkemoe and Herrschaft (1970) showed that, in the as-galvanized condition, galvanizing increases the friction between the bolt and nut threads as well as the variability of the torque-induced pretension. A lower required torque and more consistent results are obtained if the nuts are lubricated. Thus, it is required in ASTM A325 that a galvanized bolt and lubricated galvanized nut be assembled in a steel *joint* with a galvanized washer and tested by the *supplier* prior

to shipment. This testing must show that the galvanized nut with the lubricant provided may be rotated from the snug-tight condition well in excess of the rotation required for pretensioned installation without stripping. This requirement applies to both hot-dip and mechanically galvanized fasteners. The above requirements clearly indicate that:

- (1) Galvanized *high-strength bolts* and nuts must be treated as a *fastener assembly*;
- (2) The *supplier* must supply nuts that have been lubricated and tested with the supplied *high-strength bolts*;

Bolt / Nut	Type 1	Type 3	
ASTM A325 bolt	 Three radial line 120° apart are optional		
ASTM F1852 bolt	 Three radial line 120° apart are optional		
ASTM A490 bolt			
ASTM A563 nut	 Arcs indicate grade C	 Arcs with "3" indicate grade C3	 Grade mark D
	 Grade mark DH	 Grade mark DH3	

Notes:

1. XYZ represents the manufacturer's identification mark.
2. ASTM F1852 twist-off-type tension-control bolt assemblies are also produced with heavy-hex head that has similar markings.

Figure C-2.1. Required marks for acceptable bolt and nut assemblies.

- (3) Nuts and *high-strength bolts* must be shipped together in the same shipping container; and,
- (4) The purchase of galvanized *high-strength bolts* and galvanized nuts from separate *suppliers* is not in accordance with the intent of the ASTM Specifications because the control of over-tapping, the testing and application of lubricant and the *supplier* responsibility for the performance of the assembly would clearly not have been provided as required.

Because some of the lubricants used to meet the requirements of ASTM Specifications are water soluble, it is advisable that galvanized *high-strength bolts* and nuts be shipped and stored in plastic bags or in sealed wood or metal containers. Containers of fasteners with hot-wax-type lubricants should not be subjected to heat that would cause depletion or change in the properties of the lubricant.

Both the hot-dip galvanizing process (ASTM A153) and the mechanical galvanizing process (ASTM B695) are recognized in ASTM A325. The effects of the two processes upon the performance characteristics and requirements for proper installation are distinctly different. Therefore, distinction between the two must be noted in the comments that follow. In accordance with ASTM A325, all threaded components of the *fastener assembly* must be galvanized by the same process and the *supplier's* option is limited to one process per item with no mixed processes in a *lot*. Mixing *high-strength bolts* that are galvanized by one process with nuts that are galvanized by the other may result in an unworkable assembly.

Steels in the 200 ksi and higher tensile-strength range are subject to embrittlement if hydrogen is permitted to remain in the steel and the steel is subjected to high tensile stress. The minimum tensile strength of ASTM A325 bolts is 105 ksi or 120 ksi, depending upon the diameter, and maximum hardness limits result in production tensile strengths well below the critical range. The maximum tensile strength for ASTM A490 bolts was set at 170 ksi to provide a little more than a ten-percent margin below 200 ksi. However, because *manufacturers* must target their production slightly higher than the required minimum, ASTM A490 bolts close to the critical range of tensile strength must be anticipated. For black *high-strength bolts*, this is not a cause for concern. However, if the bolt is hot-dip galvanized, delayed brittle fracture in service is a concern because of the possibility of the introduction of hydrogen during the pickling operation of the hot-dip galvanizing process and the subsequent "sealing-in" of the hydrogen by the zinc coating. There also exists the possibility of cathodic hydrogen absorption arising from the corrosion process in certain aggressive environments.

ASTM A325 and A490 bolts are manufactured to dimensions as specified in ANSI/ASME B18.2.6. The basic dimensions, as defined in Figure C-2.2, are shown in Table C-2.1.

The principal geometric features of heavy-hex structural bolts that distinguish them from bolts for general application are the size of the head and the unthreaded body length. The head of the heavy-hex structural bolt is specified to be the same size as a heavy-hex nut of the same nominal diameter so that the ironworker may use the same wrench or socket either on the bolt head and/or on the nut. With the specific exception of fully threaded ASTM A325T bolts as

discussed below, heavy-hex structural bolts have shorter threaded lengths than bolts for general applications. By making the body length of the bolt the control dimension, it has been possible to exclude the thread from all shear planes when desirable, except for the case of thin outside parts adjacent to the nut.

The shorter threaded lengths provided with heavy-hex structural bolts tend to minimize the threaded portion of the bolt within the *grip*. Accordingly, care must also be exercised to provide adequate threaded length between the nut and the bolt head to enable appropriate installation without jamming the nut on the thread run-out.

Depending upon the increments of supplied bolt lengths, the full thread may extend into the *grip* for an assembly without washers by as much as $\frac{3}{8}$ in. for $\frac{1}{2}$, $\frac{5}{8}$, $\frac{3}{4}$, $\frac{7}{8}$, $1\frac{1}{4}$, and $1\frac{1}{2}$ in. diameter *high-strength bolts* and as much as $\frac{1}{2}$ in. for 1,

Table C-2.1. Bolt and Nut Dimensions

Nominal Bolt Diameter d_b , in.	Heavy Hex Structural Bolt Dimensions			Heavy Hex Nut Dimensions	
	Width across flats F , in.	Height H_1 , in.	Thread Length T , in.	Width across flats W , in.	Height H_2 , in.
$\frac{1}{2}$	$\frac{7}{8}$	$\frac{5}{16}$	1	$\frac{7}{8}$	$\frac{31}{64}$
$\frac{5}{8}$	$1\frac{1}{16}$	$\frac{25}{64}$	$1\frac{1}{4}$	$1\frac{1}{16}$	$\frac{39}{64}$
$\frac{3}{4}$	$1\frac{1}{4}$	$\frac{15}{32}$	$1\frac{3}{8}$	$1\frac{1}{4}$	$\frac{47}{64}$
$\frac{7}{8}$	$1\frac{7}{16}$	$\frac{35}{64}$	$1\frac{1}{2}$	$1\frac{7}{16}$	$\frac{55}{64}$
1	$1\frac{5}{8}$	$\frac{39}{64}$	$1\frac{3}{4}$	$1\frac{5}{8}$	$\frac{63}{64}$
$1\frac{1}{8}$	$1\frac{13}{16}$	$\frac{11}{16}$	2	$1\frac{13}{16}$	$1\frac{7}{64}$
$1\frac{1}{4}$	2	$\frac{25}{32}$	2	2	$1\frac{7}{32}$
$1\frac{3}{8}$	$2\frac{3}{16}$	$\frac{27}{32}$	$2\frac{1}{4}$	$2\frac{3}{16}$	$1\frac{11}{32}$
$1\frac{1}{2}$	$2\frac{3}{8}$	$\frac{15}{16}$	$2\frac{1}{4}$	$2\frac{3}{8}$	$1\frac{15}{32}$

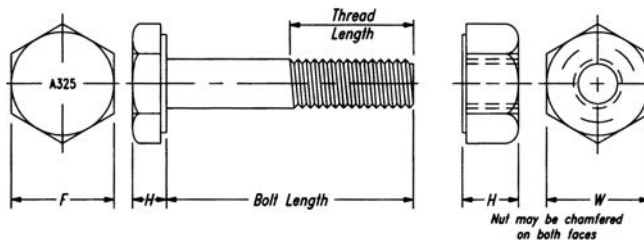


Figure C-2.2. Heavy-hex structural bolt and heavy-hex nut.

$1/8$, and $1\ 3/8$ in. diameter *high-strength bolts*. When the thickness of the ply closest to the nut is less than the $3/8$ in. or $1/2$ in. dimensions given above, it may still be possible to exclude the threads from the shear plane, when required, depending upon the specific combination of bolt length, *grip* and number of washers used under the nut (Carter, 1996). If necessary, the next increment of bolt length can be specified with ASTM F436 washers in sufficient number to both exclude the threads from the shear plane and ensure that the assembly can be installed with adequate threads included in the *grip* for proper installation.

At maximum accumulation of tolerances from all components in the *fastener assembly*, the thread run-out will cross the shear plane for the critical combination of bolt length and *grip* used to select the foregoing rules of thumb for ply thickness required to exclude the threads. This condition is not of concern, however, for two reasons. First, it is too unlikely that all component tolerances will accumulate at their maximum values to warrant consideration. Second, even if the maximum accumulation were to occur, the small reduction in shear strength due to the presence of the thread run-out (not a full thread) would be negligible.

There is an exception to the foregoing thread length requirements for ASTM A325 bolts but not for ASTM A490 bolts nor ASTM F1852 twist-off-type tension-control bolt assemblies. Supplementary requirements in ASTM A325 permit the purchaser to specify a bolt that is threaded for the full length of the shank, when the bolt length is equal to or less than four times the nominal diameter. This exception is provided to increase economy through simplified ordering and inventory control in the fabrication and erection of some structures. It is particularly useful in those structures in which the strength of the *connection* is dependent upon the bearing strength of relatively thin connected material rather than the shear strength of the bolt, whether with threads in the shear plane or not. As required in ASTM A325, *high-strength bolts* ordered to such supplementary requirements must be marked with the symbol A325T.

To determine the required bolt length, the value shown in Table C-2.2 should be added to the *grip* (i.e., the total thickness of all connected material, exclusive of washers). For each ASTM F436 washer that is used, add $5/32$ in.; for each beveled washer, add $5/16$ in. The tabulated values provide appropriate allowances for manufacturing tolerances and also provide *sufficient thread engagement* with an installed heavy-hex nut. The length determined by the use of Table C-2.2 should be adjusted to the next longer $1/4$ -in. length increment ($1/2$ -in. length increment for lengths exceeding 6 in.). A more extensive table for bolt length selection based upon these rules is available (Carter, 1996).

Pretensioned installation involves the inelastic elongation of the portion of the threaded length between the nut and the thread run-out. ASTM A490 bolts and galvanized ASTM A325 bolts possess sufficient ductility to undergo one pretensioned installation, but are not consistently ductile enough to undergo a second pretensioned installation. Black ASTM A325 bolts, however, possess sufficient ductility to undergo more than one pretensioned installation as suggested in the *Guide* (Kulak et al., 1987). As a simple rule of thumb, a black ASTM A325 bolt is suitable for reuse if the nut can be run up the threads by hand.

Table C- 2.2. Bolt Length Selection Increment

Nominal Bolt Diameter d_b , in.	To Determine the Required Bolt Length, Add to Grip, in.
$\frac{1}{2}$	$\frac{1}{16}$
$\frac{5}{8}$	$\frac{7}{8}$
$\frac{3}{4}$	1
$\frac{7}{8}$	$1\frac{1}{8}$
1	$1\frac{1}{4}$
$1\frac{1}{8}$	$1\frac{1}{2}$
$1\frac{1}{4}$	$1\frac{5}{8}$
$1\frac{3}{8}$	$1\frac{3}{4}$
$1\frac{1}{2}$	$1\frac{7}{8}$

2.4. Heavy-Hex Nuts

- 2.4.1. Specifications: Heavy-hex nuts shall meet the requirements of ASTM A563. The grade and finish of such nuts shall be as given in Table 2.1.
- 2.4.2. Geometry: Heavy-hex nut dimensions shall meet the requirements of ANSI/ASME B18.2.6.

Commentary:

Heavy-hex nuts are required by ASTM Specifications to be distinctively marked. Certain markings are mandatory. In addition to the mandatory markings, the *manufacturer* may apply additional distinguishing markings. The mandatory markings and sample optional markings are illustrated in Figure C-2.1.

Hot-dip galvanizing affects the stripping strength of the bolt-nut assembly because, to accommodate the relatively thick zinc coatings of non-uniform thickness on bolt threads, it is usual practice to hot-dip galvanize the blank nut and then to tap the nut over-size. This results in a reduction of thread engagement with a consequent reduction of the stripping strength. Only the stronger hardened nuts have adequate strength to meet ASTM thread strength requirements after over-tapping. Therefore, as specified in ASTM A325, only ASTM A563 grade DH are suitable for use as galvanized nuts. This requirement should not be overlooked if non-galvanized nuts are purchased and then sent to a local galvanizer for hot-dip galvanizing. Because the mechanical galvanizing process results in a more uniformly distributed and smooth zinc coating, nuts may be tapped over-size before galvanizing by an amount that is less than that required for the hot-dip process before galvanizing.

In earlier editions, this Specification permitted the use of ASTM A194 grade 2H nuts in the same finish as that permitted for ASTM A563 nuts in the following cases: with ASTM A325 Type 1 plain, Type 1 galvanized and Type 3 plain bolts and with ASTM A490 Type 1 plain bolts. Reference to ASTM A194 grade 2H nuts has been removed following the removal of similar reference within the ASTM A325 and A490 Specifications. However, it should be noted that ASTM A194 grade 2H nuts remain acceptable in these applications as indicated by footnote in Table 2.1, should they be available.

ASTM A563 nuts are manufactured to dimensions as specified in ANSI/ASME B18.2.6. The basic dimensions, as defined in Figure C-2.2, are shown in Table C-2.1.

2.5. Washers

Flat circular washers and square or rectangular beveled washers shall meet the requirements of ASTM F436, except as provided in Table 6.1. The type and finish of such washers shall be as given in Table 2.1.

2.6. Washer-Type Indicating Devices

The use of washer-type indicating devices is permitted as described in Sections 2.6.1 and 2.6.2.

- 2.6.1. Compressible-Washer-Type Direct Tension Indicators: Compressible-washer-type direct tension indicators shall meet the requirements of ASTM F959.
- 2.6.2. Alternative Washer-Type Indicating Devices: When approved by the *Engineer of Record*, the use of alternative washer-type indicating devices that differ from those that meet the requirements of ASTM F959 is permitted.

Detailed installation instructions shall be prepared by the *manufacturer* in a supplemental specification that is approved by the *Engineer of Record* and shall provide for:

- (1) The required character and frequency of pre-installation verification;
- (2) The alignment of bolt holes to permit insertion of the bolt without undue damage to the threads;
- (3) The placement of *fastener assemblies* in all types and sizes of holes, including placement and orientation of the alternative and regular washers;
- (4) The systematic assembly of the *joint*, progressing from the most rigid part of the *joint* until the connected plies are in *firm contact*; and;
- (5) The subsequent systematic pretensioning of all bolts in the *joint*, progressing from the most rigid part of the *joint* in a manner that will minimize relaxation of previously pretensioned bolts.

Detailed inspection instructions shall be prepared by the *manufacturer* in a supplemental specification that is approved by the *Engineer of Record* and shall provide for:

- (1) Observation of the required pre-installation verification testing; and,
- (2) Subsequent *routine observation* to ensure the proper use of the alternative washer-type indicating device.

2.7. Twist-Off-Type Tension-Control Bolt Assemblies

- 2.7.1. Specifications: Twist-off-type tension-control bolt assemblies shall meet the requirements of ASTM F1852. The *Engineer of Record* shall specify the type of bolt (Table 2.1) to be used.
- 2.7.2. Geometry: Twist-off-type tension-control bolt assembly dimensions shall meet the requirements of ASTM F1852. The bolt length used shall be such that the end of the bolt extends beyond or is at least flush with the outer face of the nut when properly installed.

Commentary:

It is the policy of the Research Council on Structural Connections to directly recognize only those fastener components that are manufactured to meet the requirements in an approved ASTM specification. Prior to this edition, the RCSC Specification provided for the use of ASTM A325 and A490 bolts directly and alternative-design fasteners meeting detailed requirements similar to those in Section 2.8 when approved by the *Engineer of Record*. With this edition, ASTM F1852 twist-off-type tension-control bolt assemblies are now recognized directly. Essentially, ASTM F1852 relates an ASTM A325-equivalent product to a specific method of installation that is suitable for use in all *joint* types as described in Section 8. Provision has also been retained for approval by the *Engineer of Record* of other alternative-design fasteners that meet the detailed requirements in 2.8. As an example of one such approval, the use of twist-off-type tension-control bolt assemblies with ASTM A490 mechanical properties is usually deemed acceptable.

If galvanized, ASTM F1852 twist-off-type tension-control bolt assemblies are required in ASTM F1852 to be mechanically galvanized.

While specific provisions for reuse of ASTM F1852 twist-off-type tension control bolts have not been included in this Specification, those given in Section 2.3.3 for reuse of heavy-hex structural bolts are equally applicable if the use of an alternative pretensioning method, such as the turn-of-nut pretensioning method, is practical. It is assumed that rotation of the non-turned element can be restrained.

2.8. Alternative-Design Fasteners

When approved by the *Engineer of Record*, the use of alternative-design fasteners is permitted if they:

- (1) Meet the materials, manufacturing and chemical composition requirements of ASTM A325 or ASTM A490, as applicable;
- (2) Meet the mechanical property requirements of ASTM A325 or ASTM A490 in full-size tests;
- (3) Have a body diameter and bearing area under the bolt head and nut that is equal to or greater than those provided by a bolt and nut of the same nomi-

- nal dimensions specified in Sections 2.3 and 2.4; and,
- (4) Are supplied and used in the work as a *fastener assembly*.

Such alternative-design fasteners are permitted to differ in other dimensions from those of the specified *high-strength bolts* and nuts.

Detailed installation instructions shall be prepared by the *manufacturer* in a supplemental specification that is approved by the *Engineer of Record* and shall provide for:

- (1) The required character and frequency of pre-installation verification;
- (2) The alignment of bolt holes to permit insertion of the alternative-design fastener without undue damage;
- (3) The placement of *fastener assemblies* in all holes, including any washer requirements as appropriate;
- (4) The systematic assembly of the *joint*, progressing from the most rigid part of the *joint* until the connected plies are in *firm contact*; and,
- (5) The subsequent systematic pretensioning of all *fastener assemblies* in the *joint*, progressing from the most rigid part of the *joint* in a manner that will minimize relaxation of previously pretensioned bolts.

Detailed inspection instructions shall be prepared by the *manufacturer* in a supplemental specification that is approved by the *Engineer of Record* and shall provide for:

- (1) Observation of the required pre-installation verification testing; and,
- (2) Subsequent *routine observation* to ensure the proper use of the alternative-design fastener.

SECTION 3. BOLTED PARTS

3.1. Connected Plies

All connected plies that are within the *grip* of the bolt and any materials that are used under the head or nut shall be steel (uncoated, coated or galvanized) as defined in Section 3.2. Compressible materials shall not be placed within the *grip* of the bolt. The slope of the surfaces of parts in contact with the bolt head and nut shall be equal to or less than 1:20 with respect to a plane that is normal to the bolt axis.

Commentary:

The presence of gaskets, insulation or any compressible materials other than the specified coatings within the *grip* would preclude the development and/or retention of the installed pretensions in the bolts, when required.

ASTM A325, F1852 and A490 bolt assemblies are ductile enough to deform to a surface with a slope that is less than or equal to 1:20 with respect to a plane normal to the bolt axis. Greater slopes are undesirable because the resultant localized bending decreases both the strength and the ductility of the bolt.

3.2. Faying Surfaces

Faying surfaces and surfaces adjacent to the bolt head and nut shall be free of dirt and other foreign material. Additionally, *faying surfaces* shall meet the requirements in Sections 3.2.1 or 3.2.2.

- 3.2.1. *Snug-Tightened Joints and Pretensioned Joints*: The *faying surfaces* of *snug-tightened joints* and *pretensioned joints* as defined in Sections 4.1 and 4.2 are permitted to be uncoated, coated with coatings of any formulation or galvanized.

Commentary:

In both *snug-tightened joints* and *pretensioned joints*, the ultimate strength is dependent upon shear transmitted by the bolts and bearing of the bolts against the connected material. It is independent of any frictional resistance that may exist on the *faying surfaces*. Consequently, since slip resistance is not an issue, the *faying surfaces* are permitted to be uncoated, coated, or galvanized without regard to the resulting slip coefficient obtained.

- 3.2.2. *Slip-Critical Joints*: The *faying surfaces* of *slip-critical joints* as defined in Section 4.3, including those of filler plates and finger shims, shall meet the following requirements:

- (a) *Uncoated Faying Surfaces*: *Uncoated faying surfaces* shall be free of scale, except tight mill scale, and free of coatings, including inadvertent overspray, in areas closer than one bolt diameter but not less than 1 in. from the edge of any hole and in all areas within the bolt pattern.
- (b) *Coated Faying Surfaces*: *Coated faying surfaces* shall first be blast cleaned and subsequently coated with a coating that is qualified in accordance with the requirements in Appendix A as a Class A or Class B coating as defined

in Section 5.4. Alternatively, when approved by the *Engineer of Record*, coatings that provide a *mean slip coefficient* that differs from Class A or Class B are permitted when:

- (1) The *mean slip coefficient* μ is established by testing in accordance with the requirements in Appendix A; and,
- (2) The design slip resistance is determined in accordance with Section 5.4 using this coefficient, except that, for design purposes, a value of μ greater than 0.50 shall not be used.

The plies of *slip-critical joints* with *coated faying surfaces* shall not be assembled before the coating has cured for the minimum time that was used in the qualifying tests.

- (c) *Galvanized Faying Surfaces*: *Galvanized faying surfaces* shall first be hot-dip galvanized in accordance with the requirements of ASTM A123 and subsequently roughened by means of hand wire brushing. Power wire brushing is not permitted. When prepared by roughening, the *galvanized faying surface* is designated as Class C for design.

Commentary:

Slip-critical joints are those *joints* that have specified *faying surface* conditions that, in the presence of the clamping force provided by pretensioned fasteners, resist a design load solely by friction and without displacement at the *faying surfaces*. Consequently, it is necessary to prepare the *faying surfaces* in a manner so that the desired slip performance is achieved.

Clean mill scale steel surfaces (Class A, see Section 5.4.1) and blast-cleaned steel surfaces (Class B, see Section 5.4.1) can be used within *slip-critical joints*. When used, it is necessary to keep the *faying surfaces* free of coatings, including inadvertent overspray.

Corrosion often occurs on uncoated blast-cleaned steel surfaces (Class B, see Section 5.4.1) due to exposure between the time of fabrication and subsequent erection. In normal atmospheric exposures, this corrosion is not detrimental and may actually increase the slip resistance of the *joint*. Yura et al. (1981) found that the Class B slip coefficient could be maintained for up to one year prior to *joint* assembly.

Polyzois and Frank (1986) demonstrated that, for plate material with thickness in the range of $\frac{3}{8}$ in. to $\frac{3}{4}$ in., the contact pressure caused by bolt pretension is concentrated on the *faying surfaces* in annular rings around and close to the bolts. In this study, unqualified paint on the *faying surfaces* away from the edge of the bolt hole by not less than 1 in. nor the bolt diameter did not reduce the slip resistance. However, this would not likely be the case for *joints* involving thicker material, particularly those with a large number of bolts on multiple gage lines; the Table 8.1 minimum bolt pretension might not be adequate to completely flatten and pull thicker material into tight contact around every bolt. Instead, the bolt pretension would be balanced by contact pressure on the regions of the *faying surfaces* that are in contact. To account for both possibilities, it is

required in this Specification that all areas between the bolts be free of coatings, including overspray, as illustrated in Figure C-3.1.

As a practical matter, the smaller coating-free area can be laid out and protected more easily using masking located relative to the bolt-hole pattern than relative to the limits of the complete area of *faying surface* contact with varying and uncertain edge distance. Furthermore, the narrow coating strip around the perimeter of the *faying surface* minimizes the required field touch-up of uncoated material outside of the *joint*.

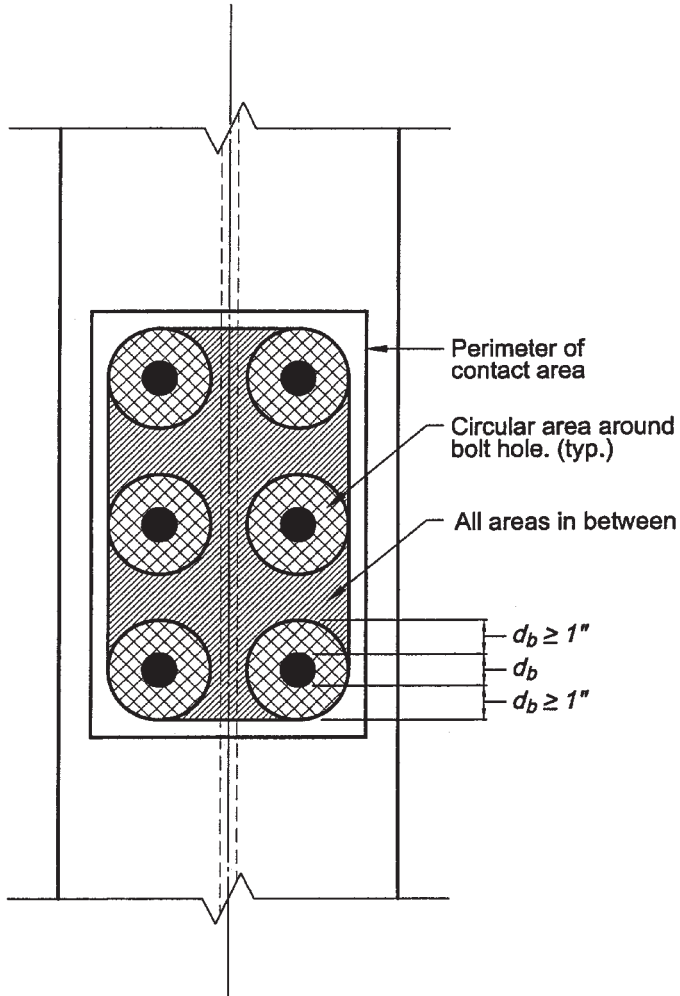


Figure C-3.1. Faying surfaces of slip-critical connections painted with unqualified paints.

Polyzois and Frank (1986) also investigated the effect of various degrees of inadvertent overspray on slip resistance. It was found that even a small amount of overspray of unqualified paint (that is, not qualified as a Class A or Class B coating) within the specified coating-free area on clean mill scale can reduce the slip resistance significantly. On blast-cleaned surfaces, however, the presence of a small amount of overspray was not as detrimental. For simplicity, this Specification requires that all overspray be prohibited from areas that are required to be free of coatings in *slip-critical joints* regardless of whether the surface is clean mill scale steel or blast-cleaned steel.

In the 1980 edition of this Specification, generic names for coatings applied to *faying surfaces* were the basis for categories of allowable working stresses in *slip-critical* (friction) *joints*. Frank and Yura (1981) demonstrated that the slip coefficients for coatings described by a generic type are not unique values for a given generic coating description or product, but rather depend also upon the type of vehicle used. Small differences in formulation from *manufacturer to manufacturer* or from *lot to lot* with a single *manufacturer* can significantly affect slip coefficients if certain essential variables within a generic type are changed. Consequently, it is unrealistic to assign coatings to categories with relatively small incremental differences between categories based solely upon a generic description.

When the *faying surfaces* of a *slip-critical joint* are to be protected against corrosion, a qualified coating must be used. A qualified coating is one that has been tested in accordance with Appendix A, the sole basis for qualification of any coating to be used in conjunction with this Specification. Coatings can be qualified as follows:

- (1) As a Class A coating as defined in Section 5.4.1;
- (2) As a Class B coating as defined in Section 5.4.1; or,
- (3) As a coating with a *mean slip coefficient* μ other than 0.33 (Class A) but not greater than 0.50 (Class B).

Requalification is required if any essential variable associated with surface preparation, paint manufacture, application method or curing requirements is changed. See Appendix A.

Frank and Yura (1981) also investigated the effect of varying the time between coating the *faying surfaces* and assembly of the *joint* and pretensioning the bolts in order to ascertain if partially cured paint continued to cure within the assembled *joint* over a period of time. The results indicated that all curing effectively ceased at the time the *joint* was assembled and paint that was not fully cured at that time acted as a lubricant. The slip resistance of a *joint* that was assembled after a time less than the curing time used in the qualifying tests was severely reduced. Thus, the curing time prior to mating the *faying surfaces* is an essential parameter to be specified and controlled during construction.

The *mean slip coefficient* for clean hot-dip galvanized surfaces is on the order of 0.19 as compared with a factor of about 0.33 for clean mill scale. Birkemoe and Herrschaft (1970) showed that this *mean slip coefficient* can be significantly improved by treatments such as hand wire brushing or light “brush-

off" grit blasting. In either case, the treatment must be controlled to achieve visible roughening or scoring. Power wire brushing is unsatisfactory because it may polish rather than roughen the surface, or remove the coating.

Field experience and test results have indicated that galvanized assemblies may continue to slip under sustained loading (Kulak et al., 1987; pp. 198-208). Tests of hot-dip galvanized *joints* subjected to sustained loading show a creep-type behavior that was not observed in short-duration or fatigue-type load application. See also the Commentary to Appendix A.

3.3. Bolt Holes

The nominal dimensions of standard, oversized, short-slotted and long-slotted holes for *high-strength bolts* shall be equal to or less than those shown in Table 3.1. Thermally cut bolt holes shall be permitted if approved by the *Engineer of Record*. For statically loaded *joints*, thermally cut surfaces need not be ground. For cyclically loaded *joints*, thermally cut surfaces shall be ground smooth.

Commentary:

The footnotes in Table 3.1 provide for slight variations in the dimensions of bolt holes from the nominal dimensions. When the dimensions of bolt holes are such that they exceed these permitted variations, the bolt hole must be treated as the next larger type.

- 3.3.1. Standard Holes: In the absence of approval by the *Engineer of Record* for the use of other hole types, standard holes shall be used in all plies of bolted *joints*.

Table 3.1. Nominal Bolt Hole Dimensions

Nominal Bolt Diameter, d_b , in.	Nominal Bolt Hole Dimensions ^{a,b} , in.			
	Standard (diameter)	Oversized (diameter)	Short-slotted (width × length)	Long-slotted (width × length)
$\frac{1}{2}$	$\frac{9}{16}$	$\frac{5}{8}$	$\frac{9}{16} \times \frac{11}{16}$	$\frac{9}{16} \times 1\frac{1}{4}$
$\frac{5}{8}$	$\frac{11}{16}$	$\frac{13}{16}$	$\frac{11}{16} \times \frac{7}{8}$	$\frac{11}{16} \times 1\frac{9}{16}$
$\frac{3}{4}$	$\frac{13}{16}$	$\frac{15}{16}$	$\frac{13}{16} \times 1$	$\frac{13}{16} \times 1\frac{7}{8}$
$\frac{7}{8}$	$\frac{15}{16}$	$1\frac{1}{16}$	$\frac{15}{16} \times 1\frac{1}{8}$	$\frac{15}{16} \times 2\frac{3}{16}$
1	$1\frac{1}{16}$	$1\frac{1}{4}$	$1\frac{1}{16} \times 1\frac{5}{16}$	$1\frac{1}{16} \times 2\frac{1}{2}$
$\geq 1\frac{1}{8}$	$d_b + \frac{1}{16}$	$d_b + \frac{5}{16}$	$(d_b + \frac{1}{16}) \times (d_b + \frac{3}{8})$	$(d_b + \frac{1}{16}) \times (2.5d_b)$

^a The upper tolerance on the tabulated nominal dimensions shall not exceed $\frac{1}{32}$ -in. Exception: In the width of slotted holes, gouges not more than $\frac{1}{16}$ -in. deep are permitted.

^b The slightly conical hole that naturally results from punching operations with properly matched punches and dies is acceptable.

Commentary:

The use of bolt holes $\frac{1}{16}$ in. larger than the bolt installed in them has been permitted since the first publication of this Specification. Allen and Fisher (1968) showed that larger holes could be permitted for *high-strength bolts* without adversely affecting the bolt shear or member bearing strength. However, the slip resistance can be reduced by the failure to achieve adequate pretension initially or by the relaxation of the bolt pretension as the highly compressed material yields at the edge of the hole or slot. The provisions for oversized and slotted holes in this Specification are based upon these findings and the additional concern for the consequences of a slip of significant magnitude if it should occur in the direction of the slot. Because an increase in hole size generally reduces the net area of a connected part, the use of oversized holes or of slotted holes is subject to approval by the *Engineer of Record*.

- 3.3.2. Oversized Holes: When approved by the *Engineer of Record*, oversized holes are permitted in any or all plies of *slip-critical joints* as defined in Section 4.3.

Commentary:

See the Commentary to Section 3.3.1.

- 3.3.3. Short-Slotted Holes: When approved by the *Engineer of Record*, short-slotted holes are permitted in any or all plies of *snug-tightened joints* as defined in Section 4.1, and *pretensioned joints* as defined in Section 4.2, provided the applied load is approximately perpendicular (between 80 and 100 degrees) to the axis of the slot. When approved by the *Engineer of Record*, short-slotted holes are permitted in any or all plies of *slip-critical joints* as defined in Section 4.3 without regard for the direction of the applied load.

Commentary:

See the Commentary to Section 3.3.1.

- 3.3.4. Long-Slotted Holes: When approved by the *Engineer of Record*, long-slotted holes are permitted in only one ply at any individual *faying surface* of *snug-tightened joints* as defined in Section 4.1, and *pretensioned joints* as defined in Section 4.2, provided the applied load is approximately perpendicular (between 80 and 100 degrees) to the axis of the slot. When approved by the *Engineer of Record*, long-slotted holes are permitted in one ply only at any individual *faying surface* of *slip-critical joints* as defined in Section 4.3 without regard for the direction of the applied load. Fully inserted finger shims between the *faying surfaces* of load-transmitting elements of bolted *joints* are not considered a long-slotted element of a *joint*; nor are they considered to be a ply at any individual *faying surface*.

Commentary:

See the Commentary to Section 3.3.1.

Finger shims are devices that are often used to permit the alignment and plumbing of structures. When these devices are fully and properly inserted, they

do not have the same effect on bolt pretension relaxation or the *connection* performance, as do long-slotted holes in an outer ply. When fully inserted, the shim provides support around approximately 75 percent of the perimeter of the bolt in contrast to the greatly reduced area that exists with a bolt that is centered in a long slot. Furthermore, finger shims are always enclosed on both sides by the connected material, which should be effective in bridging the space between the fingers.

3.4. Burrs

Burrs that extend $\frac{1}{16}$ in. or less above the surface are permitted to remain on the *faying surfaces of snug-tightened joints* as defined in Section 4.1 and *pretensioned joints* as defined in Section 4.2. Burrs that extend over $\frac{1}{16}$ in. above the surface shall be removed from all *joints*. Burrs that would prevent solid seating of the connected plies prior to the pretensioning of *slip-critical joints* as defined in Section 4.3 shall be removed.

Commentary:

Polyzois and Yura (1985) and McKinney and Zwerneman (1993) demonstrated that the slip resistance of *joints* was either unchanged or slightly improved by the presence of burrs. Therefore, small ($\frac{1}{16}$ in. or less) burrs that do not prevent solid seating of the connected parts need not be removed. On the other hand, parallel tests in the same program demonstrated that large burrs (over $\frac{1}{16}$ in.) could cause a small increase in the required nut rotation from the snug-tight condition to achieve the specified pretension with the turn-of—nut pretensioning method. In the interest of simplicity, this Specification requires that all large burrs be removed.

SECTION 4. JOINT TYPE

For *joints* with fasteners that are loaded in shear or combined shear and tension, the *Engineer of Record* shall specify the *joint* type in the contract documents as snug-tightened, pretensioned or slip-critical. For *slip-critical joints*, the required class of slip resistance in accordance with Section 5.4 shall also be specified. For *joints* with fasteners that are loaded in tension only, the *Engineer of Record* shall specify the *joint* type in the contract documents as snug-tightened or pretensioned. Table 4.1 summarizes the applications and requirements of the three *joint* types.

Table 4.1. Summary of Applications and Requirements for Bolted Joints

Load Transfer	Application	Joint Type ^{a,b}	Faying Surface Prep.?	Install per Section	Inspect per Section	Arbitrate per Section 10?
Shear only	Resistance to shear load by shear/bearing	ST	No	8.1	9.1	No
	Resistance to shear by shear/bearing. Bolt pretension is required, but for reasons other than slip resistance.	PT	No	8.2	9.2	No
	Shear-load resistance by friction on faying surfaces is required.	SC	Yes ^d	8.2	9.3	If required to resolve dispute
Combined shear and tension	Resistance to shear load by shear/bearing. Tension load is static only. ^c	ST	No	8.1	9.1	No
	Resistance to shear by shear/bearing. Bolt pretension is required, but for reasons other than slip resistance.	PT	No	8.2	9.2	If required to resolve dispute
	Shear-load resistance by friction on faying surfaces is required.	SC	Yes ^d	8.2	9.3	If required to resolve dispute
Tension only	Static loading only. ^c	ST	No	8.1	9.1	No
	All other conditions of tension-only loading.	PT	No	8.2	9.2	If required to resolve dispute

^a Under Joint Type: ST = snug-tightened, PT = pretensioned and SC = slip-critical; See Section 4.
^b See Sections 4 and 5 for the design requirements for each joint type.
^c Per Section 4.2, the use of ASTM A490 bolts in snug-tightened joints with tensile loads is not permitted.
^d See Section 3.2.2.

Commentary:

When first approved by the Research Council on Structural Connections, in January, 1951, the “Specification for Assembly of Structural Joints Using High-Strength Bolts” merely permitted the substitution of a like number of ASTM A325 bolts for hot driven ASTM A141² steel rivets of the same nominal diameter. Additionally, it was required that all bolts be pretensioned and that all *faying surfaces* be free of paint; hence, satisfying the requirements for a *slip-critical joint* by the present-day definition. As revised in 1954, the omission of paint was required to apply only to “*joints* subject to stress reversal, impact or vibration, or to cases where stress redistribution due to *joint* slippage would be undesirable.” This relaxation of the earlier provision recognized the fact that, in many applications, movement of the connected parts that brings the bolts into bearing against the sides of their holes is in no way detrimental. Bolted *joints* were then designated as “bearing type”, “friction type” or “direct tension”. With the 1985 edition of this Specification, these designations were changed to “shear/bearing”, “slip-critical” and “direct tension”, respectively, and snug-tightened installation was permitted for many *shear/bearing joints*. With this edition of this Specification, *snug-tightened joints* are also permitted for qualified applications involving ASTM A325 bolts in direct tension.

If non-pretensioned bolts are used in the type of *joint* that places the bolts in shear, load is transferred by shear in the bolts and bearing stress in the connected material. At the ultimate limit state, failure will occur by shear failure of the bolts, by bearing failure of the connected material or by failure of the member itself. On the other hand, if pretensioned bolts are used in such a *joint*, the frictional force that develops between the connected plies will initially transfer the load. Until the frictional force is exceeded, there is no shear in the bolts and no bearing stress in the connected components. Further increase of load places the bolts into shear and against the connected material in bearing, just as was the case when non-pretensioned bolts were used. Since it is known that the pretension in bolts will have been dissipated by the time bolt shear failure takes place (Kulak et al., 1987; p. 49), the ultimate limit state of a pretensioned bolted *joint* is the same as an otherwise identical *joint* that uses non-pretensioned bolts.

Because the consequences of slip into bearing vary from application to application, the determination of whether a *joint* can be designated as snug-tightened or as pre-tensioned or rather must be designated as slip-critical is best left to judgment and a decision on the part of the *Engineer of Record*. In the case of *joints* with three or more bolts in holes with only a small clearance, the freedom to slip generally does not exist. It is probable that normal fabrication tolerances and erection procedures are such that one or more bolts are in bearing even before additional load is applied. Such is the case for standard holes and for slotted holes loaded transverse to the axis of the slot.

Joints that are required to be *slip-critical joints* include:

- (1) Those cases where slip movement could theoretically exceed an amount deemed by the *Engineer of Record* to affect the serviceability of the structure or through excessive distortion to cause a reduction in strength or stability, even though the resistance to fracture of the *connection* and yielding of the member may be adequate; and,

² ASTM A141 (discontinued in 1967) became identified as A502 Grade 1 (discontinued 1999).

- (2) Those cases where slip of any magnitude must be prevented, such as in *joints* subject to significant load reversal and *joints* between elements of built-up compression members in which any slip could cause a reduction of the flexural stiffness required for the stability of the built-up member.

In this Specification, the provisions for the design, installation and inspection of bolted *joints* are dependent upon the type of *joint* that is specified by the *Engineer of Record*. Consequently, it is required that the *Engineer of Record* identify the *joint* type in the contract documents.

4.1. Snug-Tightened Joints

Except as required in Sections 4.2 and 4.3, *snug-tightened joints* are permitted.

Bolts in *snug-tightened joints* shall be designed in accordance with the applicable provisions of Sections 5.1, 5.2 and 5.3, installed in accordance with Section 8.1 and inspected in accordance with Section 9.1. As indicated in Section 4 and Table 4.1, requirements for *faying surface* condition shall not apply to *snug-tightened joints*.

Commentary:

Recognizing that the ultimate strength of a *connection* is independent of the bolt pretension and slip movement, there are numerous practical cases in the design of structures where, if slip occurs, it will not be detrimental to the serviceability of the structure. Additionally, there are cases where slip of the *joint* is desirable to permit rotation in a *joint* or to minimize the transfer of moment. To provide for these cases while at the same time making use of the shear strength of *high-strength bolts*, *snug-tightened joints* are permitted.

The maximum amount of slip that can occur in a *joint* is, theoretically, equal to twice the hole clearance. In practical terms, it is observed in laboratory and field experience to be much less; usually, about one-half the hole clearance. Acceptable inaccuracies in the location of holes within a pattern of bolts usually cause one or more bolts to be in bearing in the initial, unloaded condition. Furthermore, even with perfectly positioned holes, the usual method of erection causes the weight of the connected elements to put some of the bolts into direct bearing at the time the member is supported on loose bolts and the lifting crane is unhooked. Additional loading in the same direction would not cause additional *joint* slip of any significance.

With this edition of this Specification, *snug-tightened joints* are also permitted for statically loaded applications involving ASTM A325 bolts and ASTM F1852 twist-off-type tension-control bolt assemblies in direct tension. However, snug-tightened installation is not permitted for these fasteners in applications involving non-static loading, nor for applications involving ASTM A490 bolts.

4.2. Pretensioned Joints

Pretensioned joints are only required in the following applications:

- (1) *Joints* in which fastener pretension is required in the specification or code that invokes this Specification;
- (2) *Joints* that are subject to significant load reversal;
- (3) *Joints* that are subject to fatigue load with no reversal of the loading direction;
- (4) *Joints* with ASTM A325 or F1852 bolts that are subject to tensile fatigue; and,
- (5) *Joints* with ASTM A490 bolts that are subject to tension or combined shear and tension, with or without fatigue.

Bolts in *pretensioned joints* subject to shear shall be designed in accordance with the applicable provisions of Sections 5.1 and 5.3, installed in accordance with Section 8.2 and inspected in accordance with Section 9.2. Bolts in *pretensioned joints* subject to tension or combined shear and tension shall be designed in accordance with the applicable provisions of Sections 5.1, 5.2, 5.3 and 5.5, installed in accordance with Section 8.2 and inspected in accordance with Section 9.2. As indicated in Section 4 and Table 4.1, requirements for *faying surface* condition shall not apply to *pretensioned joints*.

Commentary:

Under the provisions of some other specifications, certain shear *connections* are required to be pretensioned, but are not required to be slip-critical. Several cases are given, for example, in AISC LRFD Specification Section J1.11 (AISC, 1999) wherein certain bolted *joints* in bearing *connections* are to be pretensioned regardless of whether or not the potential for slip is a concern. The AISC Specification requires that *joints* be pretensioned in the following circumstances:

- (1) Column splices in buildings with high ratios of height to width;
- (2) *Connections* of members that provide bracing to columns in tall buildings;
- (3) Various *connections* in buildings with cranes over 5-ton capacity; and,
- (4) *Connections* for supports of running machinery and other sources of impact or stress reversal.

When pretension is desired for reasons other than the necessity to prevent slip, a *pretensioned joint* should be specified in the contract documents.

4.3. Slip-Critical Joints

Slip-critical joints are only required in the following applications involving shear or combined shear and tension:

- (1) *Joints* that are subject to fatigue load with reversal of the loading direction;
- (2) *Joints* that utilize oversized holes;
- (3) *Joints* that utilize slotted holes, except those with applied load approximately normal (within 80 to 100 degrees) to the direction of the long dimension of the slot; and,
- (4) *Joints* in which slip at the *faying surfaces* would be detrimental to the performance of the structure.

Bolts in *slip-critical joints* shall be designed in accordance with the applicable provisions of Sections 5.1, 5.2, 5.3, 5.4 and 5.5, installed in accordance with Section 8.2 and inspected in accordance with Section 9.3.

Commentary:

In certain cases, slip of a bolted *joint* in shear under service loads would be undesirable or must be precluded. Clearly, *joints* that are subject to reversed fatigue load must be slip-critical since slip may result in back-and-forth movement of the *joint* and the potential for accelerated fatigue failure. Unless slip is intended, as desired in a sliding expansion *joint*, slip in *joints* with long-slotted holes that are parallel to the direction of the applied load might be large enough to invalidate structural analyses that are based upon the assumption of small displacements.

For *joints* subject to fatigue load with respect to shear of the bolts that does not involve a reversal of load direction, there are two alternatives for fatigue design. The designer can provide either a *slip-critical joint* that is proportioned on the basis of the applied stress range on the gross section, or a *pretensioned joint* that is proportioned on the basis of applied stress range on the net section.

SECTION 5. LIMIT STATES IN BOLTED JOINTS

The design shear strength and design tensile strength of bolts shall be determined in accordance with Section 5.1. The interaction of combined shear and tension on bolts shall be limited in accordance with Section 5.2. The design bearing strength of the connected parts at bolt holes shall be determined in accordance with Section 5.3. Each of these *design strengths* shall be equal to or greater than the *required strength*. The axial load in bolts that are subject to tension or combined shear and tension shall be calculated with consideration of the effects of the externally applied tensile load and any additional tension resulting from *prying action* produced by deformation of the connected parts.

When slip resistance is required at the *faying surfaces* subject to shear or combined shear and tension, slip resistance shall be checked at either the factored-load level or service-load level, at the option of the *Engineer of Record*. When slip of the *joint* under factored loads would affect the ability of the structure to support the factored loads, the *design strength* determined in accordance with Section 5.4.1 shall be equal to or greater than the *required strength*. When slip resistance under service loads is the design criterion, the strength determined in accordance with Section 5.4.2 shall be equal to or greater than the effect of the service loads. In addition, slip-critical connections must meet the strength requirements to resist the factored loads as shear/bearing joints. Therefore, the strength requirements of Sections 5.1, 5.2 and 5.3 shall also be met.

When bolts are subject to cyclic application of axial tension, the stress determined in accordance with Section 5.5 shall be equal to or greater than the stress due to the effect of the service loads, including any additional tension resulting from prying action produced by deformation of the connected parts.

Commentary:

This section of the Specification provides the design requirements for *high-strength bolts* in bolted *joints*. However, this information is not intended to provide comprehensive coverage of the design of *high-strength bolted connections*. Other design considerations of importance to the satisfactory performance of the connected material, such as block shear rupture, shear lag, *prying action* and *connection stiffness* and its effect on the performance of the structure, are beyond the scope of this Specification and Commentary.

The design of bolted *joints* that transmit shear requires consideration of the shear strength of the bolts and the bearing strength of the connected material. If such *joints* are designated as *slip-critical joints*, the slip resistance must also be checked. This serviceability check can be made at the factored-load level (Section 5.4.1) or at the service-load level (Section 5.4.2). Regardless of which load level is selected for the check of slip resistance, the prevention of slip in the service-load range is the design criterion.

Parameters that influence the shear strength of bolted *joints* include:

- (1) Geometric parameters – the ratio of the net area to the gross area of the connected parts, the ratio of the net area of the connected parts to the total shear-resisting area of the bolts and the length of the *joint*; and,
- (2) Material parameter – the ratio of the yield strength to the tensile strength of the connected parts.

Using both mathematical models and physical testing, it was possible to study the influences of these parameters (Kulak et al., 1987; pp. 89-116 and 126-132). These showed that, under the rules that existed at that time the longest (and often the most important) *joints* had the lowest factor of safety, about 2.0 based on ultimate strength.

In general, bolted *joints* that are designed in accordance with the provisions of this Specification will have a higher reliability than will the members they connect. This occurs primarily because the resistance factors used in limit states for the design of bolted *joints* were chosen to provide a reliability higher than that used for member design. Additionally, the controlling strength limit state in the structural member, such as yielding or deflection, is usually reached well before the strength limit state in the *connection*, such as bolt shear strength or bearing strength of the connected material. The installation requirements vary with *joint* type and influence the behavior of the *joints* within the service-load range, however, this influence is ignored in all strength calculations. Secondary tensile stresses that may be produced in bolts in *shear/bearing joints*, such as through the flexing of double-angle *connections* to accommodate the simple-beam end rotation, need not be considered.

It is sometimes necessary to use *high-strength bolts* and fillet welds in the same *connection*, particularly as the result of remedial work. When these fastening elements act in the same shear plane, the combined strength is a function of whether the bolts are snug-tightened or pretensioned, the location of the bolts relative to the holes in which they are located and the orientation of the fillet welds. The fillet welds can be parallel or transverse to the direction of load. Recent work (Manuel and Kulak, 1999) can be used to calculate the *design strength* of such *joints*.

5.1. Design Shear and Tensile Strengths

Shear and tensile strengths shall not be reduced by the installed bolt pretension. For *joints*, the design shear and tensile strengths shall be taken as the sum of the strengths of the individual bolts.

The design strength in shear or the design strength in tension for an ASTM A325, A490 or F1852 bolt is ϕR_n , where $\phi = 0.75$ and:

$$R_n = F_n A_b \quad (\text{Equation 5.1})$$

where

R_n = nominal strength (shear strength per shear plane or tensile strength) of a bolt, kips;

F_n = nominal strength per unit area from Table 5.1 for the appropriate applied load conditions, ksi, adjusted for the presence of fillers as fillers as required below, and,

A_b = cross-sectional area based upon the nominal diameter of bolt, in.²

When a bolt that carries load passes through fillers or shims in a shear plane that are equal to or less than 1/4-in. thick, F_n from Table 5.1 shall be used without reduction. When a bolt that carries load passes through fillers or shims that are greater than 1/4-in. thick, they shall be designed in accordance with one of the following procedures:

Table 5.1. Nominal Strength per Unit Area of Bolts

Applied Load Condition		Nominal Strength per Unit Area F_n , ksi	
		ASTM A325 or F1852 Bolt	ASTM A490 Bolt
Tension ^a	Static	90	113
	Fatigue	See Section 5.5	
Shear ^{a,b}	Threads included in shear plane	48	60
	Threads excluded from shear plane	60	75

^a Except as required in Section 5.2.

^b In shear *connections* that transmit axial force and have length between extreme bolts measured parallel to the line of force exceeds 50 in., tabulated values shall be reduced by 20 percent.

- (1) For fillers or shims that are equal to or less than $\frac{3}{4}$ in. thick, F_n from Table 5.1 shall be multiplied by the factor $[1 - 0.4(t' - 0.25)]$, where t' is the total thickness of fillers or shims, in., up to $\frac{3}{4}$ in.;
- (2) The fillers or shims shall be extended beyond the *joint* and the filler or shim extension shall be secured with enough bolts to uniformly distribute the total force in the connected element over the combined cross-section of the connected element and the fillers or shims;
- (3) The size of the *joint* shall be increased to accommodate a number of bolts that is equivalent to the total number required in (2) above; or
- (4) The *joint* shall be designed as a *slip-critical joint*. The slip resistance of the *joint* shall not be reduced for the presence of fillers or shims.

Commentary:

The nominal shear and tensile strengths of ASTM A325, F1852 and A490 bolts are given in Table 5.1. These values are based upon the work of a large number of researchers throughout the world, as reported in the *Guide* (Kulak et al., 1987). The *design strength* equals the *nominal strength* multiplied by a resistance factor ϕ . On average, the *design strengths* result in bolted *joint* designs that are approximately equivalent to those provided under the allowable stress rules given in the 1980 edition of this Specification.

The nominal shear strength is based upon the observation that the shear strength of a single *high-strength bolt* is about 0.62 times the tensile strength of that bolt (Kulak et al., 1987; pp. 44-50). However, in lap splices transmitting axial force between members with more than two bolts in the line of force, non-uniform deformation of the connected material between fasteners causes a non-uniform distribution of the shear force to the bolts. Consequently, the strength of the *joint* decreases in terms of the average strength of all the bolts in the *joint* as the *joint* length increases (Kulak et al., 1987; pp. 99-104). Rather than provide a decreasing function that reflects this decrease in average fastener strength with *joint* length, a single reduction factor of 0.80 is applied to the 0.62 multiplier. This accommodates bolts in all *joints* up to 50 in. in length without seriously affecting the economy of very short *joints*. As noted in Footnote b in Table 5.1, the average shear strength of bolts in *joints* longer than 50 in. in length must be further reduced

by 20 percent. Note that this reduction does not apply in cases when the distribution of force is essentially uniform along the *joint*, such as the bolted *joints* in a shear *connection* at the end of a deep plate girder.

The average ratio of nominal shear strength for bolts with threads included in the shear plane to the nominal shear strength for bolts with threads excluded from the shear plane is 0.83 with a standard deviation of 0.03 (Frank and Yura, 1981). Conservatively, a reduction factor of 0.80 is used to account for the reduction in shear strength for a bolt with threads included in the shear plane but calculated with the area corresponding to the nominal bolt diameter. The case of a bolt in double shear with a non-threaded section in one shear plane and a threaded section in the other shear plane is not covered in this Specification for two reasons. First, the manner in which load is shared between these two dissimilar shear areas is uncertain. Second, the detailer's lack of certainty as to the orientation of the bolt placement might leave both shear planes in the threaded section. Thus, if threads are included in one shear plane, the conservative assumption is made that threads are included in all shear planes.

The tensile strength of a *high-strength bolt* is the product of its ultimate tensile strength (per unit area) and some area through the threaded portion. This area, called the tensile stress area, is a derived quantity that is a function of the relative thread size and pitch. For the usual sizes of structural bolts, it is about 75 percent of the nominal cross-sectional area of the bolt. Hence, the nominal tensile strengths per unit area given in Table 5.1 are 0.75 times the tensile strength of the bolt material. According to Equation 5.1, the nominal area of the bolt is then used to calculate the *design strength* in tension. The *nominal strengths* so-calculated are intended to form the basis for comparison with the externally applied bolt tension plus any additional tension that results from *prying action* that is produced by deformation of the connected elements.

If pretensioned bolts are used in a *joint* that loads the bolts in tension, the question arises as to whether the pretension and the applied tension are additive. Because the compressed parts are being unloaded during the application of the external tensile force, the increase in bolt tension is minimal until the parts separate (Kulak et al., 1987; pp. 263-266). Thus, there will be little increase in bolt force above the pretension load under service loads. After the parts separate, the bolt acts as a tension member, as expected, and its *design strength* is that given in Equation 5.1 multiplied by the resistance factor ϕ .

Pretensioned bolts have torsion present during the installation process. Once the installation is completed, any residual torsion is quite small and will disappear entirely when the fastener is loaded to the point of plate separation. Hence, there is no question of torsion—tension interaction when considering the ultimate tensile strength of a *high-strength bolt* (Kulak et al., 1987; pp. 41-47).

When required, pretension is induced in a bolt by imposing a small axial elongation during installation, as described in the Commentary to Section 8. When the *joint* is subsequently loaded in shear, tension or combined shear and tension, the bolts will undergo significant deformations prior to failure that have the effect of overriding the small axial elongation that was introduced during installation and, thereby, removing the pretension. Measurements taken in laboratory tests confirm that the pretension that would be sustained if the applied load were

removed is essentially zero before the bolt fails in shear (Kulak et al., 1987; pp. 93-94). Thus, the shear and tensile strengths of a bolt are not affected by the presence of an initial pretension in the bolt.

See also the Commentary to Section 5.5.

5.2. Combined Shear and Tension

When combined shear and tension loads are transmitted by an ASTM A325, A490 or F1852 bolt, the ultimate limit-state interaction shall be:

$$\left[\frac{T_u}{(\phi R_n)_t} \right]^2 + \left[\frac{V_u}{(\phi R_n)_v} \right]^2 \leq 1 \quad (\text{Equation 5.2})$$

where

- T_u = *required strength* in tension (factored tensile load) per bolt, kips;
 V_u = *required strength* in shear (factored shear load) per bolt, kips;
 $(\phi R_n)_t$ = *design strength* in tension determined in accordance with Section 5.1, kips; and,
 $(\phi R_n)_v$ = *design strength* in shear determined in accordance with Section 5.1, kips

Commentary:

When both shear forces and tensile forces act on a bolt, the interaction can be conveniently expressed as an elliptical solution (Chesson et al., 1965) that includes the elements of the bolt acting in shear alone and the bolt acting in tension alone. Although the elliptical solution provides the best estimate of the strength of bolts subject to combined shear and tension and is thus used in this Specification, the nature of the elliptical solution is such that it can be approximated conveniently using three straight lines (Carter et al., 1997). Earlier editions of this specification have used such linear representations for the convenience of design calculations. The elliptical interaction equation in effect shows that, for design purposes, significant interaction does not occur until either force component exceeds 20 percent of the limiting strength for that component.

5.3. Design Bearing Strength at Bolt Holes

For *joints*, the design bearing strength shall be taken as the sum of the strengths of the connected material at the individual bolt holes.

The design bearing strength of the connected material at a standard bolt hole, oversized bolt hole, short-slotted bolt hole independent of the direction of loading or long-slotted bolt hole with the slot parallel to the direction of the bearing load is ϕR_n , where $\phi = 0.75$ and:

- (1) when deformation of the bolt hole at service load is a design consideration;

$$R_n = 1.2L_c t F_u \leq 2.4d_b t F_u \quad (\text{Equation 5.3})$$

- (2) when deformation of the bolt hole at service load is not a design consideration;

$$R_n = 1.5L_c t F_u \leq 3d_b t F_u \quad (\text{Equation 5.4})$$

The design bearing strength of the connected material at a long-slotted bolt hole with the slot perpendicular to the direction of the bearing load is ϕR_n , where $\phi = 0.75$ and:

$$R_n = L_c t F_u \leq 2d_b t F_u \quad (\text{Equation 5.5})$$

In Equations 5.3, 5.4 and 5.5,

- R_n = nominal strength (bearing strength of the connected material), kips;
 F_u = specified minimum tensile strength (per unit area) of the connected material, ksi;
 L_c = clear distance, in the direction of load, between the edge of the hole and the edge of the adjacent hole or the edge of the material, in.;
 d_b = nominal diameter of bolt, in.; and,
 t = thickness of the connected material, in.

Commentary:

The contact pressure at the interface between a bolt and the connected material can be expressed as a bearing stress on the bolt or on the connected material. The connected material is always critical. For simplicity, the bearing area is expressed as the bolt diameter times the thickness of the connected material in bearing. The governing value of the bearing stress has been determined from extensive experimental research and a further limitation on strength was derived from the case of a bolt at the end of a tension member or near another fastener.

The design equations are based upon the models presented in the *Guide* (Kulak et al., 1987; pp. 141-143), except that the clear distance to another hole or edge is used in the Specification formulation rather than the bolt spacing or end distance as used in the *Guide* (see Figure C-5.1). Equation 5.3 is derived from tests (Kulak et al., 1987; pp. 112-116) that showed that the total elongation, including local bearing deformation, of a standard hole that is loaded to obtain the ultimate strength equal to $3d_b t F_u$ in Equation 5.4 was on the order of the diameter of the bolt. This apparent hole elongation results largely from bearing deformation of the material that is immediately adjacent to the bolt. The lower value of $2.4d_b t F_u$ in Equation 5.3 provides a bearing strength limit-state that is attainable at reasonable deformation ($1/4$ in.). Strength and deformation limits were thus used to jointly evaluate bearing strength test results for design.

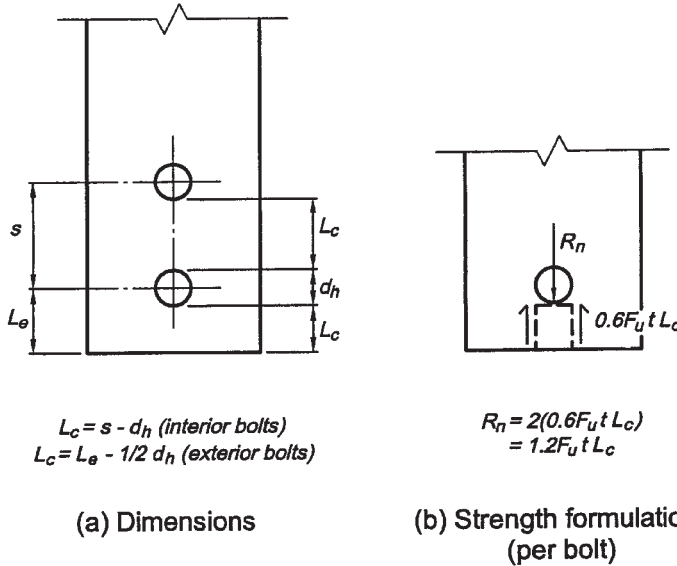


Figure. C-5.1. Bearing strength formulation.

When long-slotted holes are oriented with the long dimension perpendicular to the direction of load, the bending component of the deformation in the material between adjacent holes or between the hole and the edge of the plate is increased. The nominal bearing strength is limited to $2d_b t F_u$, which again provides a bearing strength limit-state that is attainable at reasonable deformation.

The design bearing strength has been expressed as that of a single bolt, although it is really that of the connected material that is immediately adjacent to the bolt. In calculating the design bearing strength of a connected part, the total bearing strength of the connected part can be taken as the sum of the bearing strengths of the individual bolts.

5.4. Design Slip Resistance

5.4.1. At the Factored-Load Level: The design slip resistance is ϕR_n , where ϕ is as defined below and:

$$R_n = \mu D_u T_m N_b \left(1 - \frac{T_u}{D_u T_m N_b} \right) \quad (\text{Equation 5.6})$$

where

- $\phi = 1.0$ for standard holes
- $= 0.85$ for oversized and short-slotted holes
- $= 0.70$ for long-slotted holes perpendicular to the direction of load
- $= 0.60$ for long-slotted holes parallel to the direction of load;

R_n	=	<i>nominal strength</i> (slip resistance) of a slip plane, kips;
μ	=	<i>mean slip coefficient</i> for Class A, B or C <i>faying surfaces</i> , as applicable, or as established by testing in accordance with Appendix A (see Section 3.2.2(b))
	=	0.33 for Class A <i>faying surfaces</i> (uncoated clean mill scale steel surfaces or surfaces with Class A coatings on blast-cleaned steel)
	=	0.50 for Class B surfaces (uncoated blast-cleaned steel surfaces or surfaces with Class B coatings on blast-cleaned steel)
	=	0.35 for Class C surfaces (roughened hot-dip galvanized surfaces);
D_u	=	1.13, a multiplier that reflects the ratio of the mean installed bolt pretension to the specified minimum bolt pretension T_m ; the use of other values of D_u shall be approved by the <i>Engineer of Record</i> ;
T_m	=	specified minimum bolt pretension (for <i>pretensioned joints</i> as specified in Table 8.1), kips;
N_b	=	number of bolts in the <i>joint</i> ; and
T_u	=	<i>required strength</i> in tension (tensile component of applied factored load for combined shear and tension loading), kips
	=	zero if the <i>joint</i> is subject to shear only

5.4.2. At the Service-Load Level: The service-load slip resistance is ϕR_s , where ϕ is as defined in Section 5.4.1 and:

$$R_s = \mu D T_m N_b \left(1 - \frac{T}{D T_m N_b} \right) \quad (\text{Equation 5.7})$$

where

D	=	0.80, a slip probability factor that reflects the distribution of actual slip coefficient values about the mean, the ratio of mean installed bolt pretension to the specified minimum bolt pretension, T_m , and a slip probability level; the use of other values of D must be approved by the <i>Engineer of Record</i>
T	=	applied service load in tension (tensile component of applied service load for combined shear and tension loading), kips
	=	zero if the <i>joint</i> is subject to shear only

and all other variables are as defined for Equation 5.6.

Commentary:

The design check for slip resistance can be made either at the factored-load level (Section 5.4.1) or at the service-load level (Section 5.4.2). These alternatives are based upon different design philosophies, which are discussed below. They have been calibrated to produce results that are essentially the same. The factored-load level approach is provided for the expedience of only working with factored loads. Irrespective of the approach, the limit state is based upon the prevention of slip at service-load levels.

If the factored-load provision is used, the *nominal strength* R_n represents the mean resistance, which is a function of the *mean slip coefficient* μ and the specified minimum bolt pretension (clamping force) T_m . The 1.13 multiplier in Equation 5.6 accounts for the expected 13 percent higher mean value of the installed bolt pretension provided by the calibrated wrench pretensioning method compared to the specified minimum bolt pretension T_m used in the calculation. In the absence of other field test data, this value is used for all methods.

If the service-load approach is used, a probability of slip is identified. It implies that there is 90 percent reliability that slip will not occur at the calculated slip load if the calibrated wrench pretensioning method is used, or that there is 95 percent reliability that slip will not occur at the calculated slip load if the turn-of-nut pretensioning method is used. The probability of loading occurrence was not considered in developing these slip probabilities (Kulak et al., 1987; pg. 135).

For most applications, the assumption that the slip resistance at each fastener is equal and additive with that at the other fasteners is based on the fact that all locations must develop the slip force before a total *joint* slip can occur at that plane. Similarly the forces developed at various slip planes do not necessarily develop simultaneously, but one can assume that the full slip resistances must be mobilized at each plane before full *joint* slip can occur. Equations 5.6 and 5.7 are formulated for the general case of a single slip plane. The total slip resistance of a *joint* with multiple slip planes can be calculated as that for a single slip plane multiplied by the number of slip planes.

Only the *Engineer of Record* can determine whether the potential slippage of a *joint* is critical at the service-load level as a serviceability consideration only or whether slippage could result in distortions of the frame such that the ability of the frame to resist the factored loads would be reduced. The following comments reflect the collective thinking of the Council and are provided as guidance and an indication of the intent of the Specification. See also the Commentary to Sections 4.2 and 4.3.

- (1) If *joints* with standard holes have only one or two bolts in the direction of the applied load, a small slip may occur. In this case, *joints* subject to vibration should be proportioned to resist slip at the service-load level.
- (2) In built-up compression members, such as double-angle struts in trusses, a small relative slip between the elements especially at the end *connections* can increase the effective length of the combined cross-section to that of the individual components and significantly reduce the compressive strength of the strut. Therefore, the *connection* between the elements at the ends of built-up members should be checked at the factored-load level, whether or not a *slip-critical joint* is required for serviceability. As given by Sherman and Yura (1998), the required slip resistance is $0.008P_uLQ/I$, where P_u is the axial compressive force in the built-up member, kips, L is the total length of the built-up member, in., Q is the first moment of area of one component about the axis of buckling of the built-up member, in.³, and I is the moment of inertia of the built-up member about the axis of buckling, in.⁴

- (3) In *joints* with long-slotted holes that are parallel to the direction of the applied load, the designer has two alternatives. The *joint* can be designed to prevent slip in the service-load range using either the factored-load-level provision in Section 5.4.1 or the service-load-level provision in Section 5.4.2. In either case, however, the effect of the factored loads acting on the deformed structure (deformed by the maximum amount of slip in the long slots at all locations) must be included in the structural analysis.
- (4) In *joints* subject to fatigue, design should be based upon service-load criteria and the design slip resistance of Section 5.4.2 because fatigue is a function of the service load performance rather than that of the factored load.

Extensive data developed through research sponsored by the Council and others during the past twenty years has been statistically analyzed to provide improved information on slip probability of *joints* in which the bolts have been pretensioned to the requirements of Table 8.1. Two variables, the *mean slip coefficient* of the *faying surfaces* and the bolt pretension, were found to affect the slip resistance of *joints*. Field studies (Kulak and Birkemoe, 1993) of installed bolts in various structural applications indicate that the Table 8.1 pretensions have been achieved as anticipated in the laboratory research.

An examination of the slip-coefficient data for a wide range of surface conditions indicates that the data are distributed normally and the standard deviation is essentially the same for each surface condition class. This means that different reduction factors should be applied to classes of surfaces with different *mean slip coefficients*—the smaller the mean value of the coefficient of friction, the smaller (more severe) the appropriate reduction factor—to provide equivalent reliability of slip resistance.

The bolt clamping force data indicate that bolt pretensions are distributed normally for each pretensioning method. However, the data also indicate that the mean value of the bolt pretension is different for each method. As noted previously, if the calibrated wrench method is used to pretension ASTM A325 bolts, the mean value of bolt pretension is about 1.13 times the specified minimum pretension in Table 8.1. If the turn-of-nut pretensioning method is used, the mean pretension is about 1.35 times the specified minimum pretension for ASTM A325 bolts and about 1.26 for ASTM A490 bolts.

The combined effects of the variability of the *mean slip coefficient* and bolt pretension have been accounted for approximately in the single value of the slip probability factor D in the equation for nominal slip resistance in Section 5.4.2. This implies 90 percent reliability that slip will not occur if the calibrated wrench pretensioning method is used and 95 percent reliability if the turn-of-nut pretensioning method is used. For values of D that are appropriate for other *mean slip coefficients* and slip probabilities, refer to the *Guide* (Kulak et al., 1987; pg. 135). The values given therein are suitable for direct substitution into the formula for slip resistance in Section 5.4.2.

The calibrated wrench installation method targets a specific bolt pretension, which is 5 percent greater than the specified minimum value given in Table 8.1. Thus, regardless of the actual strength of production bolts, this target value is

unique for a given fastener grade. On the other hand, the turn-of-nut installation method imposes an elongation on the fastener. Consequently, the inherent strength of the bolts being installed will be reflected in the resulting pretension because this elongation will bring the fastener to its proportional limit under combined torsion and tension. As a result of these differences, the mean value and nature of the frequency distribution of pretensions for the two installation methods differ. Turn-of-nut installations result in higher mean levels of pretension than do calibrated wrench installations. These differences were taken into account when the design criteria for *slip-critical joints* were developed.

Statistical information on the pretension characteristics of bolts installed in the field using direct tension indicators and twist-off-type tension-control bolts is limited.

In any of the foregoing installation methods, it can be expected that a portion of the bolt assembly (the threaded portion of the bolt within the *grip* length and/or the engaged threads of the nut and bolt) will reach the inelastic region of behavior. This permanent distortion has no undesirable effect on the subsequent performance of the bolt.

Because of the greater likelihood that significant deformation can occur in *joints* with oversized or slotted holes, lower values of design slip resistance are provided for *joints* with these hole types through a modification of the resistance factor ϕ . For the case of long-slotted holes, even though the slip load is the same for loading transverse or parallel to the axis of the slot, the value for loading parallel to the axis has been further reduced, based upon judgment, in recognition of the greater consequences of slip.

Although the design philosophy for *slip-critical joints* presumes that they do not slip into bearing when subject to loads in the service range, it is mandatory that *slip-critical joints* also meet the requirements of Sections 5.1, 5.2 and 5.3. Thus, they must meet the strength requirements to resist the factored loads as *shear/bearing joints*.

Section 3.2.2(b) permits the *Engineer of Record* to authorize the use of *faying surfaces* with a *mean slip coefficient* μ that is less than 0.50 (Class B) and other than 0.33 (Class A) This authorization requires that the following restrictions are met:

- (1) The *mean slip coefficient* μ must be determined in accordance with Appendix A; and,
- (2) The appropriate slip probability factor D must be selected from the *Guide* (Kulak et al., 1987) for design at the service-load level.

Prior to the 1994 edition of this Specification, μ for Class C surfaces was taken as 0.40. This value was reduced to 0.35 in the 1994 edition for better agreement with the available research (Kulak et al., 1987; pp. 78-82).

5.5. Tensile Fatigue

The tensile stress in the bolt that results from the cyclic application of externally applied service loads and the prying force, if any, but not the pretension, shall not exceed the stress in Table 5.2. The nominal diameter of the bolt shall be used in

Table 5.2. Maximum Tensile Stress for Fatigue Loading

Number of Cycles	Maximum Bolt Stress for Design at Service Loads ^a , ksi	
	ASTM A325 or F1852 Bolt	ASTM A490 Bolt
Not more than 20,000	44	54
From 20,000 to 500,000	40	49
More than 500,000	31	38

^a Including the effects of *prying action*, if any, but excluding the pretension.

calculating the bolt stress. The connected parts shall be proportioned so that the calculated prying force does not exceed 30 percent of the externally applied load. *Joints* that are subject to tensile fatigue loading shall be specified as pretensioned in accordance with Section 4.2 or slip-critical in accordance with Section 4.3.

Commentary:

As described in the Commentary to Section 5.1, *high-strength bolts* in *pretensioned joints* that are nominally loaded in tension will experience little, if any, increase in axial stress under service loads. For this reason, pretensioned bolts are not adversely affected by repeated application of service-load tensile stress. However, care must be taken to ensure that the calculated prying force is a relatively small part of the total applied bolt tension (Kulak et al., 1987; p. 272). The provisions that cover bolt fatigue in tension are based upon research results where various single-bolt assemblies and *joints* with bolts in tension were subjected to repeated external loads that produced fatigue failure of the pretensioned fasteners. A limited range of prying effects was investigated in this research. As a matter of judgment, in this edition of the Specification the limit on prying forces as a percentage of the total externally applied tensile force has been reduced from 60 percent to 30 percent.

SECTION 6. USE OF WASHERS

6.1. Snug-Tightened Joints

Washers are not required in snug-tightened joints, except as required in Sections 6.1.1 and 6.1.2.

- 6.1.1. Sloping Surfaces: When the outer face of the *joint* has a slope that is greater than 1:20 with respect to a plane that is normal to the bolt axis, an ASTM F436 beveled washer shall be used to compensate for the lack of parallelism.
- 6.1.2. Slotted Hole: When a slotted hole occurs in an outer ply, an ASTM F436 washer or 5/16 in. thick common plate washer shall be used to cover the hole.

6.2. Pretensioned Joints and Slip-Critical Joints

Washers are not required in *pretensioned joints* and *slip-critical joints*, except as required in Sections 6.1.1, 6.1.2, 6.2.1, 6.2.2, 6.2.3, 6.2.4 and 6.2.5.

- 6.2.1. Specified Minimum Yield Strength of Connected Material Less Than 40 ksi: When ASTM A490 bolts are pretensioned in connected material of specified minimum yield strength less than 40 ksi, ASTM F436 washers shall be used under both the bolt head and nut, except that a washer is not needed under the head of an A490-strength round head twist-off bolt that meets the minimum bearing circle diameter requirements of ASTM F1852.
- 6.2.2. Calibrated Wrench Pretensioning: When the calibrated wrench pretensioning method is used, an ASTM F436 washer shall be used under the turned element.
- 6.2.3. Twist-Off-Type Tension-Control Bolt Pretensioning: When the twist-off-type tension-control bolt pretensioning method is used, an ASTM F436 washer shall be used under the nut as part of the *fastener assembly*.
- 6.2.4. Direct-Tension-Indicator Pretensioning: When the direct-tension-indicator pretensioning method is used, an ASTM F436 washer shall be used as follows:
 - (1) When the nut is turned and the direct tension indicator is located under the bolt head, an ASTM F436 washer shall be used under the nut;
 - (2) When the nut is turned and the direct tension indicator is located under the nut, an ASTM F436 washer shall be used between the nut and the direct tension indicator;
 - (3) When the bolt head is turned and the direct tension indicator is located under the nut, an ASTM F436 washer shall be used under the bolt head; and,
 - (4) When the bolt head is turned and the direct tension indicator is located under the bolt head, an ASTM F436 washer shall be used between the bolt head and the direct tension indicator.
- 6.2.5. Oversized or Slotted Hole: When an oversized or slotted hole occurs in an outer ply, the washer requirements shall be as given in Table 6.1. The washer used shall be of sufficient size to completely cover the hole.

Table 6.1. Washer Requirements for Bolted Joints with Oversized and Slotted Holes in the Outer Ply

ASTM Designation	Nominal Bolt Diameter, d_b , in.	Hole Type in Outer Ply		
		Oversized	Short-Slotted	Long-Slotted
A325 or F1852	$\frac{1}{2}$ -1 $\frac{1}{2}$	ASTM F436 ^a		5/16-in.-thick plate washer or continuous bar ^{b,c}
A490	≤ 1			
		> 1	ASTM F436 with 5/16 in. thickness ^{b,d}	ASTM F436 washer with either a 3/8-in.-thick structural grade plate washer or continuous bar ^b

^a This requirement shall not apply to heads of round head tension-control bolt assemblies that meet the requirements in Section 2.7 and provide a bearing circle diameter that meets the requirements of ASTM F1852.

^b Multiple washers with a combined thickness of 5/16 in. or larger do not satisfy this requirement.

^c The plate washer or bar shall be of structural-grade steel material, but need not be hardened.

^d Alternatively, a 3/8-in.-thick plate washer and an ordinary thickness F436 washer may be used. The plate washer need not be hardened.

Commentary:

It is important that shop drawings and *connection* details clearly reflect the number and disposition of washers when they are required, especially the thick hardened washers or plate washers that are required for some slotted hole applications. The total thickness of washers in the *grip* affects the length of bolt that must be supplied and used.

The primary function of washers is to provide a hardened non-galling surface under the turned element, particularly for torque-based pretensioning methods such as the calibrated wrench pretensioning method and twist-off-type tension-control bolt pretensioning method. Circular flat washers that meet the requirements of ASTM F436 provide both a hardened non-galling surface and an increase in bearing area that is approximately 50 percent larger than that provided by a heavy-hex bolt head or nut. However, tests have shown that washers of the standard 5/32 in. thickness have a minor influence on the pressure distribution of the induced bolt pretension. Furthermore, they showed that a larger thickness is required when ASTM A490 bolts are used with material that has a minimum specified yield strength that is less than 40 ksi. This is necessary to mitigate the effects of local yielding of the material in the vicinity of the contact area of the head and nut. The requirement for standard thickness hardened washers, when such washers are specified, is waived for alternative design fasteners that incorporate a bearing surface under the head of the same diameter as the hardened washer.

Heat-treated washers not less than 5/16 in. thick are required to cover oversized and short-slotted holes in external plies, when ASTM A490 bolts of diameter larger than 1 in. are used, except per footnote d. This was found necessary to distribute the high clamping pressure so as to prevent collapse of the hole perimeter and enable the development of the desired clamping force. Preliminary investigation has shown that a similar but

less severe deformation occurs when oversized or slotted holes are in the interior plies. The reduction in clamping force may be offset by “keying,” which tends to increase the resistance to slip. These effects are accentuated in *joints* of thin plies. When long-slotted holes occur in an outer ply, 3/8 in. thick plate washers or continuous bars and one ASTM F436 washer are required in Table 6.1. This requirement can be satisfied with material of any structural grade. Alternatively, either of the following options can be used:

- (1) The use of material with F_v greater than 40 ksi will eliminate the need to also provide ASTM F436 washers in accordance with the requirements in Section 6.2.1 for ASTM A490 bolts of any diameter.
- (2) Material with F_v equal to or less than 40 ksi can be used with ASTM F436 washers in accordance with the requirements in Section 6.2.1

This specification previously required a washer under bolt heads with a bearing area smaller than that provided by an F436 washer. Tests indicate that the pretension achieved with a bolt having the minimum F1852 bearing circle diameter is the same as that of a bolt with the larger bearing circle diameter equal to the size of an F436 washer, provided that the hole size meets the RCSC Specification limitations. (Schnupp, 2003)

SECTION 7. PRE-INSTALLATION VERIFICATION

The requirements in this Section shall apply only as indicated in Sections 8.2 to verify that the *fastener assemblies* and pretensioned installation procedures perform as required prior to installation.

7.1. Tension Calibrator

A *tension calibrator* shall be used where bolts are to be installed in *pretensioned joints* and *slip-critical joints* to:

- (1) Confirm the suitability of the complete *fastener assembly*, including lubrication, for pretensioned installation; and,
- (2) Confirm the procedure and proper use by the bolting crew of the pretensioning method to be used.

The accuracy of the *tension calibrator* shall be confirmed through calibration at least annually.

Commentary:

A *tension calibrator* is a hydraulic device that indicates the pretension that is developed in a bolt that is installed in it. Such a device is an economical and valuable tool and it must be readily available whenever *high-strength bolts* are to be pretensioned. A bolt *tension calibrator* is essential for:

- (1) The pre-installation verification of the suitability of the *fastener assembly*, including the lubrication that is applied by the *manufacturer* or specially applied, to develop the specified minimum pretension;
- (2) Verifying the adequacy and proper use of the specified pretensioning method to be used;
- (3) Determining the installation torque for the calibrated wrench pretensioning method; and,
- (4) Determining an arbitration torque as specified in Section 10, if required to resolve dispute.

It is the only economically available tool for the described essential uses in the shop and field.

Hydraulic *tension calibrators* undergo a slight deformation during bolt pretensioning. Hence, when bolts are pretensioned according to Section 8.2.1, the nut rotation corresponding to a given pretension reading may be somewhat larger than it would be if the same bolt were pretensioned in a solid steel assembly. Stated differently, the reading of an hydraulic *tension calibrator* tends to underestimate the pretension that a given rotation of the turned element would induce in a bolt in a *pretensioned joint*.

7.2. Required Testing

A representative sample of not fewer than three complete *fastener assemblies* of each combination of diameter, length, grade and *lot* to be used in the work shall be

checked at the site of installation in a *tension calibrator* to verify that the pretensioning method develops a pretension that is equal to or greater than 1.05 times that specified for installation and inspection in Table 8.1. Washers shall be used in the pre-installation verification assemblies as required in the work in accordance with the requirements in Section 6.2.

If the actual pretension developed in any of the *fastener assemblies* is less than 1.05 times that specified for installation and inspection in Table 8.1, the cause(s) shall be determined and resolved before the *fastener assemblies* are used in the work. Cleaning, lubrication and retesting of these *fastener assemblies*, except ASTM F1852 twist-off-type tension-control bolt assemblies, (see Section 2.2) are permitted, provided that all assemblies are treated in the same manner.

Commentary:

The fastener components listed in Section 1.3 are manufactured under separate ASTM specifications, each of which includes tolerances that are appropriate for the individual component covered. While these tolerances are intended to provide for a reasonable and workable fit between the components when used in an assembly, the cumulative effect of the individual tolerances permits a significant variation in the installation characteristics of the complete *fastener assembly*. It is the intent in this Specification that the responsibility rests with the *supplier* for proper performance of the *fastener assembly*, the components of which may have been produced by more than one *manufacturer*.

When pretensioned installation is required, it is essential that the effects of the accumulation of tolerances, surface condition and lubrication be taken into account. Hence, pre-installation verification testing of the complete *fastener assembly* is required as indicated in Section 8 to ensure that the *fastener assemblies* and installation method to be used in the work will provide a pretension that exceeds those specified in Table 8.1. It is not, however, intended simply to verify conformance with the individual ASTM specifications.

It is recognized in this Specification that a natural scatter is found in the results of the pre-installation verification testing that is required in Section 8. Furthermore, it is recognized that the pretensions developed in tests of a representative sample of the fastener components that will be installed in the work must be slightly higher to provide confidence that the majority of *fastener assemblies* will achieve the minimum required pretension as given in Table 8.1. Accordingly, the minimum pretension to be used in pre-installation verification is 1.05 times that required for installation and inspection.

Pre-installation verification testing of as-received bolts and nuts is also a requirement in this Specification because of instances of under-strength and counterfeit bolts and nuts. Pre-installation verification testing provides a practical means for ensuring that non-conforming *fastener assemblies* are not incorporated into the work. Experience on many projects has shown that bolts and/or nuts not meeting the requirements of the applicable ASTM Specification would have been identified prior to installation if they had been tested as an assembly in a *tension calibrator*. The expense of replacing bolts installed in the structure when the non-conforming bolts were discovered at a later date would have been avoided.

Additionally, pre-installation verification testing clarifies for the bolting

crew and the *inspector* the proper implementation of the selected pretensioning method and the adequacy of the installation equipment. It will also identify potential sources of problems, such as the need for lubrication to prevent failure of bolts by combined high torque with tension, under-strength assemblies resulting from excessive over-tapping of hot-dip galvanized nuts or other failures to meet strength or geometry requirements of applicable ASTM specifications.

The pre-installation verification requirements in this Section presume that *fastener assemblies* so verified will be pretensioned before the condition of the *fastener assemblies*, the equipment and the steelwork have changed significantly. Research by Kulak and Undershute (1998) on twist-off-type tension-control bolt assemblies from various *manufacturers* showed that installed pretensions could be a function of the time and environmental conditions of storage and exposure. The reduced performance of these bolts was caused by a deterioration of the lubricity of the assemblies. Furthermore, all bolt pre-tensioning that is achieved through rotation of the nut (or the head) is affected by the presence of torque, the excess of which has been demonstrated to adversely affect the development of the desired pretension. Thus, it is required that the condition of the *fastener assemblies* must be replicated in pre-installation verification. When time of exposure between the placement of *fastener assemblies* in the field work and the subsequent pretensioning of those *fastener assemblies* is of concern, pre-installation verification can be performed on *fastener assemblies* removed from the work or on extra *fastener assemblies* that, at the time of placement, were set aside to experience the same degree of exposure.

SECTION 8. INSTALLATION

Prior to installation, the fastener components shall be stored in accordance with Section 2.2. For *joints* that are designated in the contract documents as *snug-tightened joints*, the bolts shall be installed in accordance with Section 8.1. For *joints* that are designated in the contract documents as pretensioned or slip-critical, the bolts shall be installed in accordance with Section 8.2.

8.1. Snug-Tightened Joints

All bolt holes shall be aligned to permit insertion of the bolts without undue damage to the threads. Bolts shall be placed in all holes with washers positioned as required in Section 6.1 and nuts threaded to complete the assembly. Compacting the *joint* to the snug-tight condition shall progress systematically from the most rigid part of the *joint*. The snug-tightened condition is the tightness that is attained with a few impacts of an impact wrench or the full effort of an ironworker using an ordinary spud wrench to bring the connected plies into *firm contact*.

Commentary:

As discussed in the Commentary to Section 4, the bolted *joints* in most shear *connections* and in many tension *connections* can be specified as *snug-tightened joints*. The snug-tightened condition is the tightness that is attained with a few impacts of an impact wrench or the full effort of an ironworker using an ordinary spud wrench to bring the plies into *firm contact*. More than one cycle through the bolt pattern may be required to achieve the *snug-tightened joint*.

The actual pretensions that result in individual fasteners in *snug-tightened joints* will vary from *joint* to *joint* depending upon the thickness, flatness, and degree of parallelism of the connected plies as well as the effort applied. In most *joints*, plies of *joints* involving material of ordinary thickness and flatness can be drawn into complete contact at relatively low levels of pretension. However, in some *joints* in thick material, or in material with large burrs, it may not be possible to reach continuous contact throughout the *faying surface* area as is commonly achieved in *joints* of thinner plates. This is generally not detrimental to the performance of the *joint*.

As used in Section 8.1, the term “undue damage” is intended to mean damage that would be sufficient to render the product unfit for its intended use.

8.2. Pretensioned Joints

One of the pretensioning methods in Sections 8.2.1 through 8.2.4 shall be used, except when alternative-design fasteners that meet the requirements of Section 2.8 or alternative washer-type indicating devices that meet the requirements of Section 2.6.2 are used, in which case, installation instructions provided by the *manufacturer* and approved by the *Engineer of Record* shall be followed. When it is impractical to turn the nut, pretensioning by turning the bolt head is permitted while rotation of the nut is prevented, provided that the washer requirements in Section 6.2 are met. A pretension that is equal to or greater than the value in Table 8.1 shall be provided. The pre-installation verification procedures specified in Section 7 shall be performed using *fastener assemblies* that are representative of the condition of those that will be pretensioned in the work.

Table 8.1. Minimum Bolt Pretension for Pretensioned and Slip-Critical Joints

Nominal Bolt Diameter d_b , in.	Specified Minimum Bolt Pretension T_m , kips ^a	
	ASTM A325 and F1852 Bolts	ASTM A490 Bolts
$\frac{1}{2}$	12	15
$\frac{5}{8}$	19	24
$\frac{3}{4}$	28	35
$\frac{7}{8}$	39	49
1	51	64
1$\frac{1}{8}$	56	80
1$\frac{1}{4}$	71	102
1$\frac{3}{8}$	85	121
1$\frac{1}{2}$	103	148

^a Equal to 70 percent of the specified minimum tensile strength of bolts as specified in ASTM Specifications for tests of full-size ASTM A325 and A490 bolts with UNC threads loaded in axial tension, rounded to the nearest kip.

Commentary:

The minimum pretension for ASTM A325 and A490 bolts is equal to 70 percent of the specified minimum tensile strength. As tabulated in Table 8.1, the values have been rounded to the nearest kip.

Four pretensioning methods are provided without preference in this Specification. Each method may be relied upon to provide satisfactory results when conscientiously implemented with the specified *fastener assembly* components in good condition. However, it must be recognized that misuse or abuse is possible with any method. With all methods, it is important to first install bolts in all holes of the *joint* and to compact the *joint* until the connected plies are in *firm contact*. Only after completion of this operation can the *joint* be reliably pretensioned. Both the initial phase of compacting the *joint* and the subsequent phase of pretensioning should begin at the most rigidly fixed or stiffest point.

In some *joints* in thick material, it may not be possible to reach continuous contact throughout the *faying surface* area, as is commonly achieved in *joints* of thinner plates. This is not detrimental to the performance of the *joint*. If the specified pretension is present in all bolts of the completed *joint*, the clamping force, which is equal to the total of the pretensions in all bolts, will be transferred at the locations that are in contact and the *joint* will be fully effective in resisting slip through friction.

If individual bolts are pretensioned in a single continuous operation in a *joint* that has not first been properly compacted or fitted up, the pretension in the bolts that are pretensioned first may be relaxed or removed by the pretensioning

of adjacent bolts. The resulting reduction in total clamping force will reduce the slip resistance.

In the case of hot-dip galvanized coatings, especially if the *joint* consists of many plies of thickly coated material, relaxation of bolt pretension may be significant and re-pretensioning of the bolts may be required subsequent to the initial pretensioning. Munse (1967) showed that a loss of pretension of approximately 6.5 percent occurred for galvanized plates and bolts due to relaxation as compared with 2.5 percent for uncoated *joints*. This loss of bolt pretension occurred in five days; loss recorded thereafter was negligible. Either this loss can be allowed for in design or pretension may be brought back to the prescribed level by re-pretensioning the bolts after an initial period of “settling-in”.

As stated in the *Guide*, Kulak et al (1987; p. 61), “...it seems reasonable to expect an increase in bolt force relaxation as the *grip* length is decreased. Similarly, increasing the number of plies for a constant *grip* length might also lead to an increase in bolt relaxation.”

- 8.2.1. Turn-of-Nut Pretensioning: All bolts shall be installed in accordance with the requirements in Section 8.1, with washers positioned as required in Section 6.2. Subsequently, the nut or head rotation specified in Table 8.2 shall be applied to all *fastener assemblies* in the *joint*, progressing systematically from the most rigid part of the *joint* in a manner that will minimize relaxation of previously pretensioned bolts. The part not turned by the wrench shall be prevented from rotating during this operation.

Table 8.2. Nut Rotation from Snug-Tight Condition for Turn-of-Nut Pretensioning^{a,b}

Bolt Length ^c	Disposition of Outer Face of Bolted Parts		
	Both faces normal to bolt axis	One face normal to bolt axis, other sloped not more than 1:20 ^d	Both faces sloped not more than 1:20 from normal to bolt axis ^d
Not more than $4d_b$	$\frac{1}{3}$ turn	$\frac{1}{2}$ turn	$\frac{2}{3}$ turn
More than $4d_b$ but not more than $8d_b$	$\frac{1}{2}$ turn	$\frac{2}{3}$ turn	$\frac{5}{6}$ turn
More than $8d_b$ but not more than $12d_b$	$\frac{2}{3}$ turn	$\frac{5}{6}$ turn	1 turn
^a Nut rotation is relative to bolt regardless of the element (nut or bolt) being turned. For required nut rotations of $\frac{1}{2}$ turn and less, the tolerance is plus or minus 30 degrees; for required nut rotations of $\frac{2}{3}$ turn and more, the tolerance is plus or minus 45 degrees. ^b Applicable only to joints in which all material within the grip is steel. ^c When the bolt length exceeds $12d_b$, the required nut rotation shall be determined by actual testing in a suitable tension calibrator that simulates the conditions of solidly fitting steel. ^d Beveled washer not used.			

Commentary:

The turn-of-nut pretensioning method results in more uniform bolt pretensions than is generally provided with torque-controlled pretensioning methods. Strain-control that reaches the inelastic region of bolt behavior is inherently more reliable than a method that is dependent upon torque control. However, proper implementation is dependent upon ensuring that the *joint* is properly compacted prior to application of the required partial turn and that the bolt head (or nut) is securely held when the nut (or bolt head) is being turned.

Match-marking of the nut and protruding end of the bolt after snug-tightening can be helpful in the subsequent installation process, and is certainly an aid to inspection.

As indicated in Table 8.2, there is no available research that establishes the required nut rotation for bolt lengths exceeding $12d_b$. The required turn for such bolts can be established on a case-by-case basis using a *tension calibrator*.

- 8.2.2. Calibrated Wrench Pretensioning: The pre-installation verification procedures specified in Section 7 shall be performed daily for the calibration of the installation wrench. Torque values determined from tables or from equations that claim to relate torque to pretension without verification shall not be used.

All bolts shall be installed in accordance with the requirements in Section 8.1, with washers positioned as required in Section 6.2. Subsequently, the installation torque determined in the pre-installation verification of the *fastener assembly* (Section 7) shall be applied to all bolts in the *joint*, progressing systematically from the most rigid part of the *joint* in a manner that will minimize relaxation of previously pretensioned bolts. The part not turned by the wrench shall be prevented from rotating during this operation. Application of the installation torque need not produce a relative rotation between the bolt and nut that is greater than the rotation specified in Table 8.2.

Commentary:

The scatter in installed pretension can be significant when torque-controlled methods of installation are used. The variables that affect the relationship between torque and pretension include:

- (1) The finish and tolerance on the bolt and nut threads;
- (2) The uniformity, degree and condition of lubrication;
- (3) The shop or job-site conditions that contribute to dust and dirt or corrosion on the threads;
- (4) The friction that exists to a varying degree between the turned element (the nut face or bearing area of the bolt head) and the supporting surface;
- (5) The variability of the air supply parameters on impact wrenches that results from the length of air lines or number of wrenches operating from the same source;
- (6) The condition, lubrication and power supply for the torque wrench, which may change within a work shift; and,
- (7) The repeatability of the performance of any wrench that senses or responds to the level of the applied torque.

In the first edition of this Specification, which was published in 1951, a table of torque-to-pretension relationships for bolts of various diameters was included. It was soon demonstrated in research that a variation in the torque-to-pretension of as high as ± 40 percent must be anticipated unless the relationship is established individually for each bolt *lot*, diameter, and fastener condition. Hence, in the 1954 edition of this Specification, recognition of relationships between torque and pretension in the form of tabulated values or equations was withdrawn. Recognition of the calibrated wrench pretensioning method was retained however until 1980, but with the requirement that the torque required for installation be determined specifically for the bolts being installed on a daily basis. Recognition of the method was withdrawn in 1980 because of the continuing controversy that resulted from the failure of users to adhere to the requirements for the valid use of the method during both installation and inspection.

In the 1985 edition of this Specification, the calibrated wrench pretensioning method was reinstated, but with more emphasis on detailed requirements that must be carefully followed. For calibrated wrench pretensioning, wrenches must be calibrated:

- (1) Daily;
- (2) When the *lot* of any component of the *fastener assembly* is changed;
- (3) When the *lot* of any component of the *fastener assembly* is relubricated;
- (4) When significant differences are noted in the surface condition of the bolt threads, nuts or washers; or,
- (5) When any major component of the wrench including lubrication, hose and air supply are altered.

It is also important that:

- (1) Fastener components be protected from dirt and moisture at the shop or job-site as required in Section 2;
- (2) Washers be used as specified in Section 6; and
- (3) The time between removal from *protected storage* and wrench calibration and final pretensioning be minimal.

8.2.3. Twist-Off-Type Tension-Control Bolt Pretensioning: Twist-off-type tension-control bolt assemblies that meet the requirements of ASTM F1852 shall be used.

All *fastener assemblies* shall be installed in accordance with the requirements in Section 8.1 without severing the splined end and with washers positioned as required in Section 6.2. If a splined end is severed during this operation, the *fastener assembly* shall be removed and replaced. Subsequently, all bolts in the *joint* shall be pretensioned with the twist-off-type tension-control bolt installation wrench, progressing systematically from the most rigid part of the *joint* in a manner that will minimize relaxation of previously pretensioned bolts.

Commentary:

ASTM F1852 twist-off-type tension-control bolt assemblies have a splined end that extends beyond the threaded portion of the bolt. During installation, this

splined end is gripped by a specially designed wrench chuck and provides a means for turning the nut relative to the bolt. This product is, in fact, based upon a torque-controlled installation method to which the *fastener assembly* variables affecting torque that were discussed in the Commentary to Section 8.2.2 apply, except for wrench calibration, because torque is controlled within the *fastener assembly*.

Twist-off-type tension-control bolt assemblies must be used in the as-delivered, clean, lubricated condition as specified in Section 2. Adherence to the requirements in this Specification, especially those for storage, cleanliness and verification, is necessary for their proper use.

- 8.2.4. Direct-Tension-Indicator Pretensioning: Direct tension indicators that meet the requirements of ASTM F959 shall be used. The pre-installation verification procedures specified in Section 7 shall demonstrate that, when the pretension in the bolt reaches 1.05 times that specified for installation and inspection in Table 8.1, the gap is not less than the job inspection gap in accordance with ASTM F959.

All bolts shall be installed in accordance with the requirements in Section 8.1, with washers positioned as required in Section 6.2. The installer shall verify that the direct-tension-indicator protrusions have not been compressed to a gap that is less than the job inspection gap during this operation, and if this has occurred, the direct tension indicator shall be removed and replaced. Subsequently, all bolts in the *joint* shall be pretensioned, progressing systematically from the most rigid part of the *joint* in a manner that will minimize relaxation of previously pretensioned bolts. The installer shall verify that the direct tension indicator protrusions have been compressed to a gap that is less than the job inspection gap.

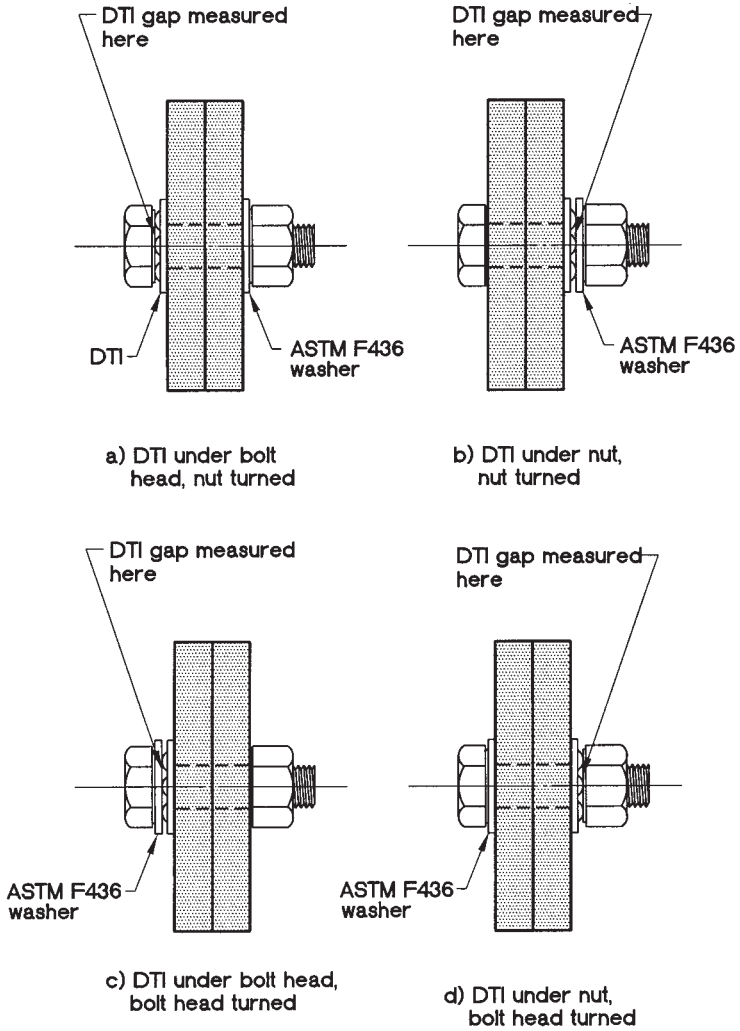
Commentary:

ASTM F959 direct tension indicators are recognized in this Specification as a bolt-tension-indicating device. Direct tension indicators are hardened, washer-shaped devices incorporating small arch-like protrusions on the bearing surface that are designed to deform in a controlled manner when subjected to compressive load.

During installation, care must be taken to ensure that the direct-tension-indicator arches are oriented to bear against the hardened bearing surface of the bolt head or nut or against a hardened flat washer if used under turned element whether that turned element is the nut or the bolt. Proper use and orientation is illustrated in Figure C-8.1.

In some cases, more than a single cycle of systematic partial pretensioning may be required to deform the direct-tension-indicator protrusions to the gap that is specified by the *manufacturer*. If the gaps fail to close or when the washer *lot* is changed, another verification procedure using the *tension calibrator* must be performed.

Provided the connected plies are in *firm contact*, partial compression of the direct tension indicator protrusions is commonly taken as an indication that the snug-tight condition has been achieved.



Note: See Section 6, for general requirements for the use of washers.

Figure. C-8.1. Proper use and orientation of ASTM F959 direct-tension indicator.

SECTION 9. INSPECTION

When inspection is required in the contract documents, the *inspector* shall ensure while the work is in progress that the requirements in this Specification are met. When inspection is not required in the contract documents, the *contractor* shall ensure while the work is in progress that the requirements in this Specification are met.

For *joints* that are designated in the contract documents as *snug-tightened joints*, the inspection shall be in accordance with Section 9.1. For *joints* that are designated in the contract documents as pretensioned, the inspection shall be in accordance with Section 9.2. For *joints* that are designated in the contract documents as slip-critical, the inspection shall be in accordance with Section 9.3.

9.1. Snug-Tightened Joints

Prior to the *start of work*, it shall be ensured that all fastener components to be used in the work meet the requirements in Section 2. Subsequently, it shall be ensured that all connected plies meet the requirements in Section 3.1 and all bolt holes meet the requirements in Sections 3.3 and 3.4. After the *connections* have been assembled, it shall be visually ensured that the plies of the connected elements have been brought into *firm contact* and that washers have been used as required in Section 6. No further evidence of conformity is required for *snug-tightened joints*. The magnitude of the clamping force that exists in a *snug-tightened joint* is not a consideration.

Commentary:

Inspection requirements for *snug-tightened joints* consist of verification that the proper fastener components were used, the connected elements were fabricated properly, and the bolted *joint* was drawn into firm contact. Because pretension is not required for the proper performance of a *snug-tightened joint*, the installed bolts should not be inspected to determine the actual installed pretension. Likewise, the arbitration procedures described in Section 10 are not appropriate.

9.2. Pretensioned Joints

For *pretensioned joints*, the following inspection shall be performed in addition to that required in Section 9.1:

- (1) When the turn-of-nut pretensioning method is used for installation, the inspection shall be in accordance with Section 9.2.1.
- (2) When the calibrated wrench pretensioning method is used for installation, the inspection shall be in accordance with Section 9.2.2.
- (3) When the twist-off-type tension-control bolt pretensioning method is used for installation, the inspection shall be in accordance with Section 9.2.3.
- (4) When the direct-tension-indicator pretensioning method is used for installation, the inspection shall be in accordance with Section 9.2.4.
- (5) When alternative-design fasteners that meet the requirements of Section 2.8 or alternative washer-type indicating devices that meet the requirements of Section 2.6.2 are used, the inspection shall be in accordance with inspection instructions provided by the manufacturer and approved by the Engineer of Record.

Commentary:

When *joints* are designated as pretensioned, they are not subject to the same faying-surface-treatment inspection requirements as is specified for *slip-critical joints* in Section 9.3.

- 9.2.1. Turn-of-Nut Pretensioning: The *inspector* shall observe the pre-installation verification testing required in Section 8.2.1. Subsequently, it shall be ensured by *routine observation* that the bolting crew properly rotates the turned element relative to the unturned element by the amount specified in Table 8.2. Alternatively, when *fastener assemblies* are match-marked after the initial fit-up of the *joint* but prior to pretensioning, visual inspection after pretensioning is permitted in lieu of routine observation. No further evidence of conformity is required. A pretension that is greater than the value specified in Table 8.1 shall not be cause for rejection.

Commentary:

Match-marking of the assembly during installation as discussed in the Commentary to Section 8.2.1 improves the ability to inspect bolts that have been pretensioned with the turn-of-nut pretensioning method. The sides of nuts and bolt heads that have been impacted sufficiently to induce the Table 8.1 minimum pretension will appear slightly peened.

The turn-of-nut pretensioning method, when properly applied and verified during the construction, provides more reliable installed pretensions than after-the-fact *inspection* testing. Therefore, proper inspection of the method is for the inspector to observe the required pre-installation verification testing of the *fastener assemblies* and the method to be used, followed by monitoring of the work in progress to ensure that the method is routinely and properly applied, or visual inspection of match-marked assemblies.

Some problems with the turn-of-nut pretensioning method have been encountered with hot-dip galvanized bolts. In some cases, the problems have been attributed to an especially effective lubricant applied by the *manufacturer* to ensure that bolts and nuts from stock will meet the ASTM Specification requirements for minimum turns testing of galvanized fasteners. Job-site testing in the *tension calibrator* demonstrated that the lubricant reduced the coefficient of friction between the bolt and nut to the degree that “the full effort of an ironworker using an ordinary spud wrench” to snug-tighten the *joint* actually induced the full required pretension. Also, because the nuts could be removed with an ordinary spud wrench, they were erroneously judged by the *inspector* to be improperly pretensioned. Excessively lubricated *high-strength bolts* may require significantly less torque to induce the specified pretension. The required pre-installation verification will reveal this potential problem.

Conversely, the absence of lubrication or lack of proper over-tapping can cause seizing of the nut and bolt threads, which will result in a twist failure of the bolt at less than the specified pretension. For such situations, the use of a *tension calibrator* to check the bolt assemblies to be installed will be helpful in establishing the need for lubrication.

- 9.2.2. Calibrated Wrench Pretensioning: The *inspector* shall observe the pre-installation verification testing required in Section 8.2.2. Subsequently, it shall be ensured by *routine observation* that the bolting crew properly applies the calibrated wrench to the turned element. No further evidence of conformity is required. A pretension that is greater than the value specified in Table 8.1 shall not be cause for rejection.

Commentary:

For proper inspection of the method, it is necessary for the *inspector* to observe the required pre-installation verification testing of the *fastener assemblies* and the method to be used, followed by monitoring of the work in progress to ensure that the method is routinely and properly applied within the limits on time between removal from *protected storage* and final pretensioning.

- 9.2.3. Twist-Off-Type Tension-Control Bolt Pretensioning: The *inspector* shall observe the pre-installation verification testing required in Section 8.2.3. Subsequently, it shall be ensured by *routine observation* that the splined ends are properly severed during installation by the bolting crew. No further evidence of conformity is required. A pretension that is greater than the value specified in Table 8.1 shall not be cause for rejection.

Commentary:

The sheared-off splined end of an installed ASTM F1852 twist-off-type tension-control bolt assembly merely signifies that at some time the bolt was subjected to a torque that was adequate to cause the shearing. If in fact all fasteners are individually pretensioned in a single continuous operation without first properly snug-tightening all fasteners, they may give a misleading indication that the bolts have been properly pretensioned. Therefore it is necessary that the *inspector* observe the required pre-installation verification testing of the *fastener assemblies*, and the ability to apply partial tension prior to twist-off is demonstrated. This is followed by monitoring of the work in progress to ensure that the method is routinely and properly applied within the limits on time between removal from *protected storage* and final twist-off of the splined end.

- 9.2.4. Direct-Tension-Indicator Pretensioning: The *inspector* shall observe the pre-installation verification testing required in Section 8.2.4. Subsequently, but prior to pretensioning, it shall be ensured by *routine observation* that the appropriate feeler gage is accepted in at least half of the spaces between the protrusions of the direct tension indicator and that the protrusions are properly oriented away from the work. If the appropriate feeler gage is accepted in fewer than half of the spaces, the direct tension indicator shall be removed and replaced. After pretensioning, it shall be ensured by *routine observation* that the appropriate feeler gage is refused entry into at least half of the spaces between the protrusions. No further evidence of conformity is required. A pretension that is greater than that specified in Table 8.1 shall not be cause for rejection.

Commentary:

When the *joint* is initially snug tightened, the direct tension indicator arch-like protrusions will generally compress partially. Whenever the snug-tightening operation causes one-half or more of the gaps between these arch-like protrusions to close to 0.015 in. or less (0.005 in. or less for coated direct tension indicators), the direct tension indicator should be replaced. Only after this initial operation should the bolts be pretensioned in a systematic manner. If the bolts are installed and pretensioned in a single continuous operation, direct tension indicators may give the *inspector* a misleading indication that the bolts have been properly pretensioned. Therefore, it is necessary that the *inspector* observe the required pre-installation verification testing of the *fastener assemblies* with the direct-tension indicators properly located and the method to be used. Following this operation, the *inspector* should monitor the work in progress to ensure that the method is routinely and properly applied.

9.3. Slip-Critical Joints

Prior to assembly, it shall be visually verified that the *faying surfaces* of *slip-critical joints* meet the requirements in Section 3.2.2. Subsequently, the inspection required in Section 9.2 shall be performed.

Commentary:

When *joints* are specified as slip-critical, it is necessary to verify that the *faying surface* condition meets the requirements as specified in the contract documents prior to assembly of the *joint* and that the bolts are properly pretensioned after they have been installed. Accordingly, the inspection requirements for *slip-critical joints* are identical to those specified in Section 9.2, with additional *faying surface* condition inspection requirements.

SECTION 10. ARBITRATION

When it is suspected after inspection in accordance with Section 9.2 or Section 9.3 that bolts in pretensioned or *slip-critical joints* do not have the proper pretension, the following arbitration procedure is permitted. If verification of bolt pretension is required after the passage of a period of time and exposure of the completed *joints*, an alternative arbitration procedure that is appropriate to the specific situation shall be used.

- (1) A representative sample of five bolt and nut assemblies of each combination of diameter, length, grade and *lot* in question shall be installed in a *tension calibrator*. The material under the turned element shall be the same as in the actual installation; that is, structural steel or hardened washer. The bolt shall be partially pretensioned to approximately 15 percent of the pretension specified in Table 8.1. Subsequently, the bolt shall be pretensioned to the minimum value specified in Table 8.1.
- (2) A manual torque wrench that indicates torque by means of a dial, or one that may be adjusted to give an indication that a defined torque has been reached, shall be applied to the pretensioned bolt. The torque that is necessary to rotate the nut or bolt head five degrees (approximately 1 in. at 12-in. radius) relative to its mating component in the tightening direction shall be determined. The arbitration torque shall be determined by rejecting the high and low values and averaging the remaining three.
- (3) Bolts represented by the above sample shall be tested by applying, in the tightening direction, the arbitration torque to 10 percent of the bolts, but no fewer than two bolts, selected at random in each *joint* in question. If no nut or bolt head is turned relative to its mating component by application of the arbitration torque, the *joint* shall be accepted as properly pretensioned.

If any nut or bolt is turned relative to its mating component by an attempted application of the arbitration torque, all bolts in the *joint* shall be tested. Those bolts whose nut or head is turned relative to its mating component by application of the arbitration torque shall be re-pretensioned by the Fabricator or Erector and reinspected. Alternatively, the Fabricator or Erector, at their option, is permitted to re-pretension all of the bolts in the *joint* and subsequently resubmit the *joint* for inspection.

Commentary:

When bolt pretension is arbitrated using torque wrenches after pretensioning, such arbitration is subject to all of the uncertainties of torque-controlled calibrated wrench installation that are discussed in the Commentary to Section 8.2.2. Additionally, the reliability of after-the-fact torque wrench arbitration is reduced by the absence of many of the controls that are necessary to minimize the variability of the torque-to-pretension relationship, such as:

- (1) The use of hardened washers³;
- (2) Careful attention to lubrication; and,
- (3) The uncertainty of the effect of passage of time and exposure in the installed condition.

Furthermore, in many cases such arbitration may have to be based upon an arbitration torque that is determined either using bolts that can only be assumed to be representative of the bolts used in the actual job or using bolts that are removed from completed *joints*. Ultimately, such arbitration may wrongly reject bolts that were subjected to a properly implemented installation procedure. The arbitration procedure contained in this Specification is provided, in spite of its limitations, as the most feasible available at this time.

Arbitration using an ultrasonic extensometer or a mechanical one capable of measuring changes in bolt length can be performed on a sample of bolts that is representative of those that have been installed in the work. Several *manufacturers* produce equipment specifically for this application. The use of appropriate techniques, which includes calibration, can produce a very accurate measurement of the actual pretension. The method involves measurement of the change in bolt length during the release of the nut, combined with either a load calibration of the removed *fastener assembly* or a theoretical calculation of the force corresponding to the measured elastic release or “stretch”. Reinstallation of the released bolt or installation of a replacement bolt is required.

The required release suggests that the direct use of extensometers as an inspection tool be used in only the most critical cases. The problem of reinstallation may require bolt replacement unless torque can be applied slowly using a manual or hydraulic wrench, which will permit the restoration of the original elongation.

³ For example, because the reliability of the turn-of-nut pretensioning method is not dependent upon the presence or absence of washers under the turned element, washers are not generally required, except for other reasons as indicated in Section 6. Thus, in the absence of washers, after-the-fact, torque-based arbitration is particularly unreliable when the turn-of-nut pretensioning method has been used for installation.

APPENDIX A. TESTING METHOD TO DETERMINE THE SLIP COEFFICIENT FOR COATINGS USED IN BOLTED JOINTS

SECTION A1. GENERAL PROVISIONS

A1.1. Purpose and Scope

The purpose of this testing procedure is to determine the *mean slip coefficient* of a coating for use in the design of *slip-critical joints*. Adherence to this testing method provides that the creep deformation of the coating due to both the clamping force of the bolt and the service-load *joint* shear are such that the coating will provide satisfactory performance under sustained loading.

Commentary:

The Research Council on Structural Connections on June 14, 1984, first approved the testing method developed by Yura and Frank (1985). It has since been revised to incorporate changes resulting from the intervening years of experience with the testing method, and is now included as an appendix to this Specification.

The slip coefficient under short-term static loading has been found to be independent of the magnitude of the clamping force, variations in coating thickness and bolt hole diameter.

The proposed test methods are designed to provide the necessary information to evaluate the suitability of a coating for *slip-critical joints* and to determine the *mean slip coefficient* to be used in the design of the *joints*. The initial testing of the compression specimens provides a measure of the scatter of the slip coefficient.

The creep tests are designed to measure the creep behavior of the coating under the service loads, determined by the slip coefficient of the coating based upon the compression test results. The slip test conducted at the conclusion of the creep test is to ensure that the loss of clamping force in the bolt does not reduce the slip load below that associated with the design slip coefficient. ASTM A490 bolts are specified, since the loss of clamping force is larger for these bolts than that for ASTM A325 bolts. Qualification of the coating for use in a structure at an average thickness of 2 mils less than that to be used for the test specimen is to ensure that a casual buildup of the coating due to overspray and other causes does not jeopardize the coating's performance.

A1.2. Definition of Essential Variables

Essential variables are those that, if changed, will require retesting of the coating to determine its *mean slip coefficient*. The essential variables and the relationship of these variables to the limitations of application of the coating for structural *joints* are given below. The slip coefficient testing shall be repeated if there is any change in these essential variables.

A1.2.1. Time Interval: The time interval between application of the coating and the time of testing is an essential variable. The time interval must be recorded in hours and any special curing procedures detailed. Curing according to published *manufacturer's* recommendations would not be considered a special curing procedure. The

coatings are qualified for use in structural *connections* that are assembled after coating for a time equal to or greater than the interval used in the test specimens. Special curing conditions used in the test specimens will also apply to the use of the coating in the structural *connections*.

A1.2.2. Coating Thickness: The coating thickness is an essential variable. The maximum average coating thickness, as per SSPC PA2 (SSPC 1993; SSPC 1991), allowed on the faying surfaces is 2 mils less than the average thickness, rounded to the nearest whole mil, of the coating that is used on the test specimens.

A1.2.3. Coating Composition and Method of Manufacture: The composition of the coating, including the thinners used, and its method of manufacture are essential variables.

A1.3. Retesting

A coating that fails to meet the creep or the post-creep slip test requirements in Section A4 may be retested in accordance with methods in Section A4 at a lower slip coefficient without repeating the static short-term tests specified in Section A3. Essential variables shall remain unchanged in the retest.

SECTION A2. TEST PLATES AND COATING OF THE SPECIMENS

A2.1. Test Plates

The test specimen plates for the short-term static tests are shown in Figure A1. The plates are 4 in. × 4 in. × $\frac{5}{8}$ in. thick, with a 1 in. diameter hole drilled $1\frac{1}{2}$ in. ± $\frac{1}{16}$ in. from one edge. The test specimen plates for the creep tests are shown in Figure A2. The plates are 4 in. × 7 in. × $\frac{5}{8}$ in. thick with two 1 in. diameter holes drilled $1\frac{1}{2}$ in. ± $\frac{1}{16}$ in. from each end. The edges of the plates may be milled, as-rolled or saw-cut; thermally cut edges are not permitted. The plates shall be flat enough to ensure that they will be in reasonably full contact over the *faying surface*. All burrs, lips or rough edges shall be removed. The arrangement of the specimen plates for the testing is shown in Figure A2. The plates shall be fabricated from a steel with a specified minimum yield strength that is between 36 and 50 ksi.

If specimens with more than one bolt are desired, the contact surface per bolt shall be 4 in. × 3 in. as shown for the single-bolt specimen in Figure A1.

Commentary:

The use of 1-in.-diameter bolt holes in the specimens is to ensure that adequate clearance is available for slip. Fabrication tolerances, coating buildup on the holes, and assembly tolerances tend to reduce the apparent clearances.

A2.2. Specimen Coating

Coatings are to be applied to the specimens in a manner that is consistent with that to be used in the actual intended structural application. The method of applying the coating and the surface preparation shall be given in the test report. The specimens are to be coated to an average thickness that is 2 mils greater than the

maximum thickness to be used in the structure on both of the plate surfaces (the faying and outer surfaces). The thickness of the total coating and the primer, if used, shall be measured on the contact surface of the specimens. The thickness shall be measured in accordance with SSPC-PA2 (SSPC, 1993; SSPC, 1991). Two spot readings (six gage readings) shall be made for each contact surface. The overall average thickness from the three plates comprising a specimen is the average thickness for the specimen. This value shall be reported for each specimen. The average coating thickness of the creep specimens shall be calculated and reported.

The time between application of the coating and specimen assembly shall be the same for all specimens within ± 4 hours. The average time shall be calculated and reported.

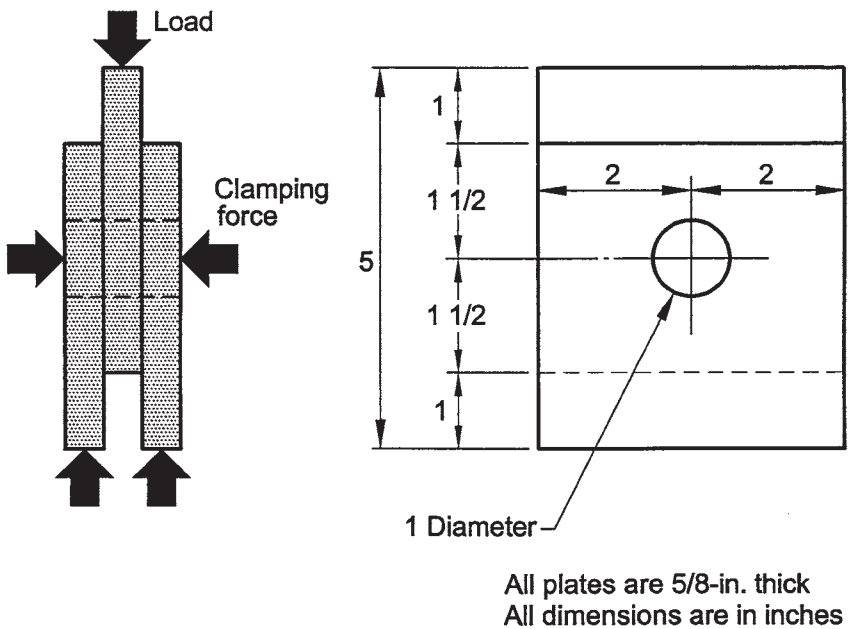
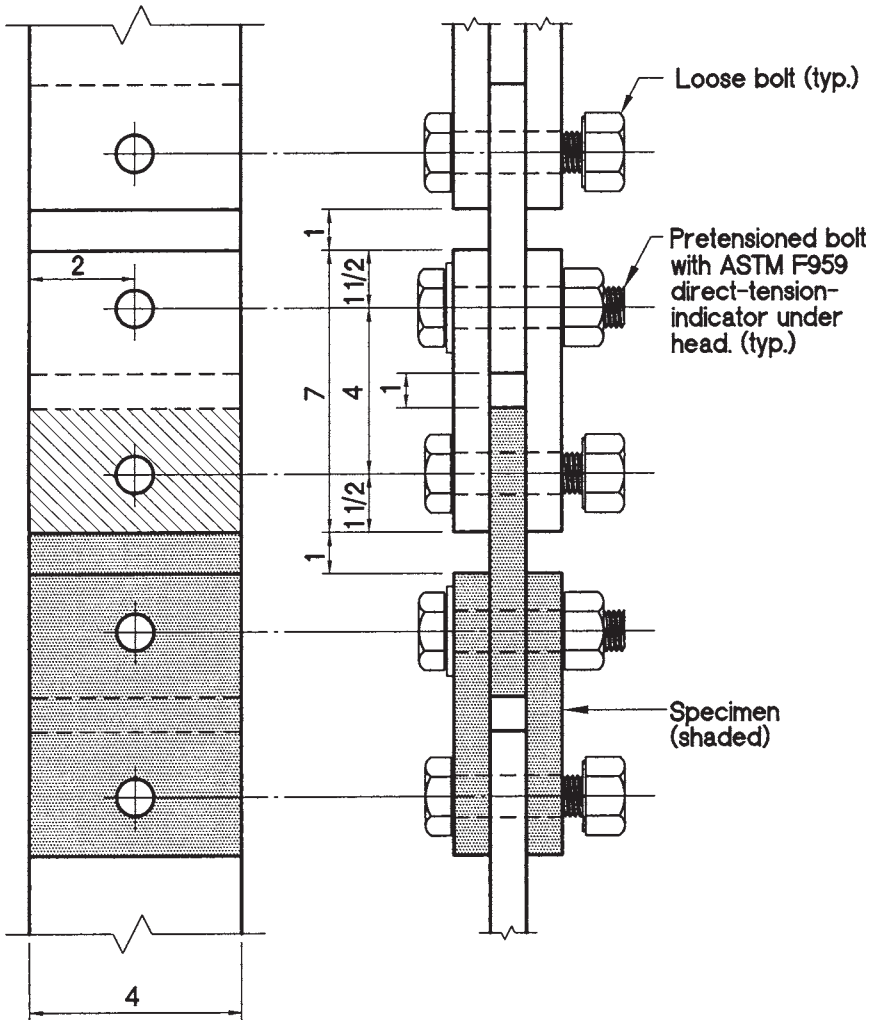


Figure A-1. Compression slip test specimen.



All dimensions are typical
 All plates are 5/8-in. thick
 All dimensions are in inches

Figure A-2. Creep test specimen assembly.

SECTION A3. SLIP TESTS

The methods and procedures described herein are used to experimentally determine the *mean slip coefficient* under short-term static loading for *high-strength bolted joints*. The *mean slip coefficient* shall be determined by testing one set of five specimens.

Commentary:

The slip load measured in this setup yields the slip coefficient directly since the clamping force is controlled and measured directly. The resulting slip coefficient has been found to correlate with both tension and compression tests of bolted specimens. However, tests of bolted specimens revealed that the clamping force may not be constant but decreases with time due to the compressive creep of the coating on the *faying surfaces* and under the nut and bolt head. The reduction in clamping force can be considerable for *joints* with high clamping force and thick coatings (as much as a 20 percent loss). This reduction in clamping force causes a corresponding reduction in the slip load. The resulting reduction in slip load must be considered in the procedure used to determine the design allowable slip loads for the coating.

The loss in clamping force is a characteristic of the coating. Consequently, it cannot be accounted for by an increase in the factor of safety or a reduction in the clamping force used for design without unduly penalizing coatings that do not exhibit this behavior.

A3.1. Compression Test Setup

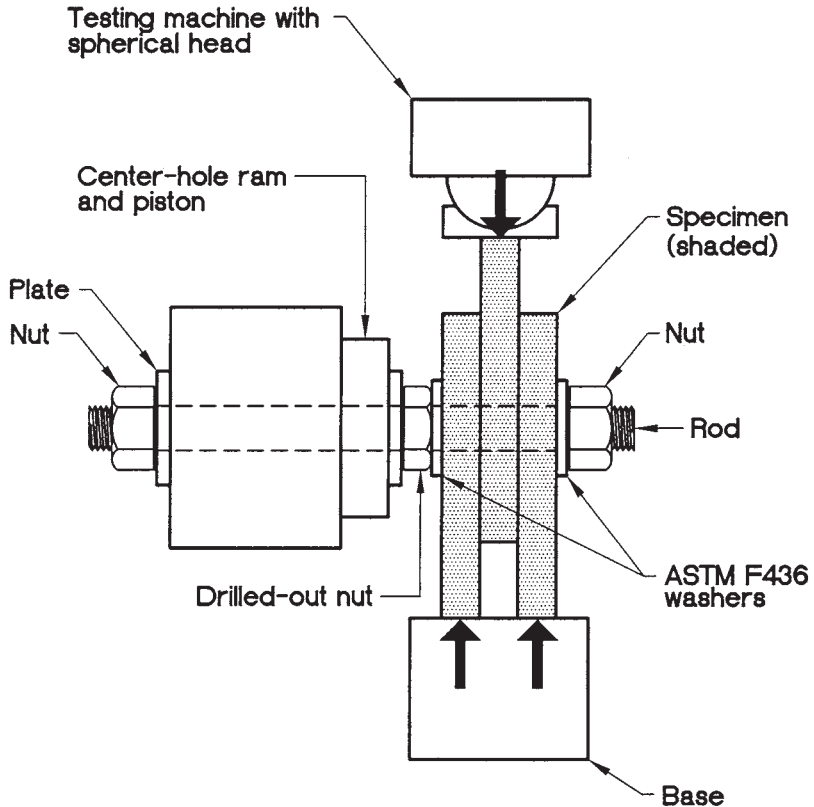
The test setup shown in Figure A3 has two major loading components, one to apply a clamping force to the specimen plates and another to apply a compressive load to the specimen so that the load is transferred across the *faying surfaces* by friction.

A3.1.1. Clamping Force System: The clamping force system consists of a $\frac{7}{8}$ in. diameter threaded rod that passes through the specimen and a centerhole compression ram. An ASTM A563 grade DH nut is used at both ends of the rod and a hardened washer is used at each side of the test specimen. Between the ram and the specimen is a specially modified $\frac{7}{8}$ in. diameter ASTM A563 grade DH nut in which the threads have been drilled out so that it will slide with little resistance along the rod. When oil is pumped into the centerhole ram, the piston rod extends, thus forcing the special nut against one of the outside plates of the specimen. This action puts tension in the threaded rod and applies a clamping force to the specimen, thereby simulating the effect of a pretensioned bolt. If the diameter of the centerhole ram is greater than 1 in., additional plate washers will be necessary at the ends of the ram. The clamping force system shall have a capability to apply a load of at least 49 kips and shall maintain this load during the test with an accuracy of 0.5 kips.

Commentary:

The slip coefficient can be easily determined using the hydraulic bolt test setup included in this Specification. The clamping force system simulates the clamping action of a pretensioned *high-strength bolt*. The centerhole ram applies a clamping force to the specimen, simulating that due to a pretensioned bolt.

A3.1.2. Compressive Load System: A compressive load shall be applied to the specimen until slip occurs. This compressive load shall be applied with a compression test machine or a reaction frame using a hydraulic loading device. The loading device and the necessary supporting elements shall be able to support a force of 120 kips. The compression loading system shall have a minimum accuracy of 1 percent of the slip load.



Rod and nuts are 7/8-in. diameter

Figure A-3. Compression slip test setup.

A3.2. Instrumentation

- A3.2.1. Clamping Force: The clamping force shall be measured within 0.5 kips. This is accomplished by measuring the pressure in the calibrated ram or placing a load cell in series with the ram.
- A3.2.2. Compression Load: The compression load shall be measured during the test by direct reading from a compression testing machine, a load cell in series with the specimen and the compression loading device or pressure readings on a calibrated compression ram.
- A3.2.3. Slip Deformation: The displacement of the center plate relative to the two outside plates shall be measured. This displacement, called “slip” for simplicity, shall be the average or that which occurs at the centerline of the specimen. This can be accomplished by using the average of two gages placed on the two exposed edges of the specimen or by monitoring the movement of the loading head relative to the base. If the latter method is used, due regard shall be taken for any slack that may be present in the loading system prior to application of the load. Deflections shall be measured by dial gages or any other calibrated device that has an accuracy of at least 0.001 in.

A3.3. Test Procedure

The specimen shall be installed in the test setup as shown in Figure A3. Before the hydraulic clamping force is applied, the individual plates shall be positioned so that they are in, or close to, full bearing contact with the $\frac{7}{8}$ in. threaded rod in a direction that is opposite to the planned compressive loading to ensure obvious slip deformation. Care shall be taken in positioning the two outside plates so that the specimen is perpendicular to the base with both plates in contact with the base. After the plates are positioned, the centerhole ram shall be engaged to produce a clamping force of 49 kips. The applied clamping force shall be maintained within ± 0.5 kips during the test until slip occurs.

The spherical head of the compression loading machine shall be brought into contact with the center plate of the specimen after the clamping force is applied. The spherical head or other appropriate device ensures concentric loading. When 1 kip or less of compressive load is applied, the slip gages shall be engaged or attached. The purpose of engaging the deflection gage(s), after a slight load is applied, is to eliminate initial specimen settling deformation from the slip reading.

When the slip gages are in place, the compression load shall be applied at a rate that does not exceed 25 kips per minute nor 0.003 in. of slip displacement per minute until the slip load is reached. The test should be terminated when a slip of 0.05 in. or greater is recorded. The load-slip relationship should preferably be monitored continuously on an X-Y plotter throughout the test, but in lieu of continuous data, sufficient load-slip data shall be recorded to evaluate the slip load defined below.

A3.4. Slip Load

Typical load-slip response is shown in Figure A4. Three types of curves are usually observed and the slip load associated with each type is defined as follows:

- Curve (a)* Slip load is the maximum load, provided this maximum occurs before a slip of 0.02 in. is recorded.
- Curve (b)* Slip load is the load at which the slip rate increases suddenly.
- Curve (c)* Slip load is the load corresponding to a deformation of 0.02 in. This definition applies when the load vs. slip curves show a gradual change in response.

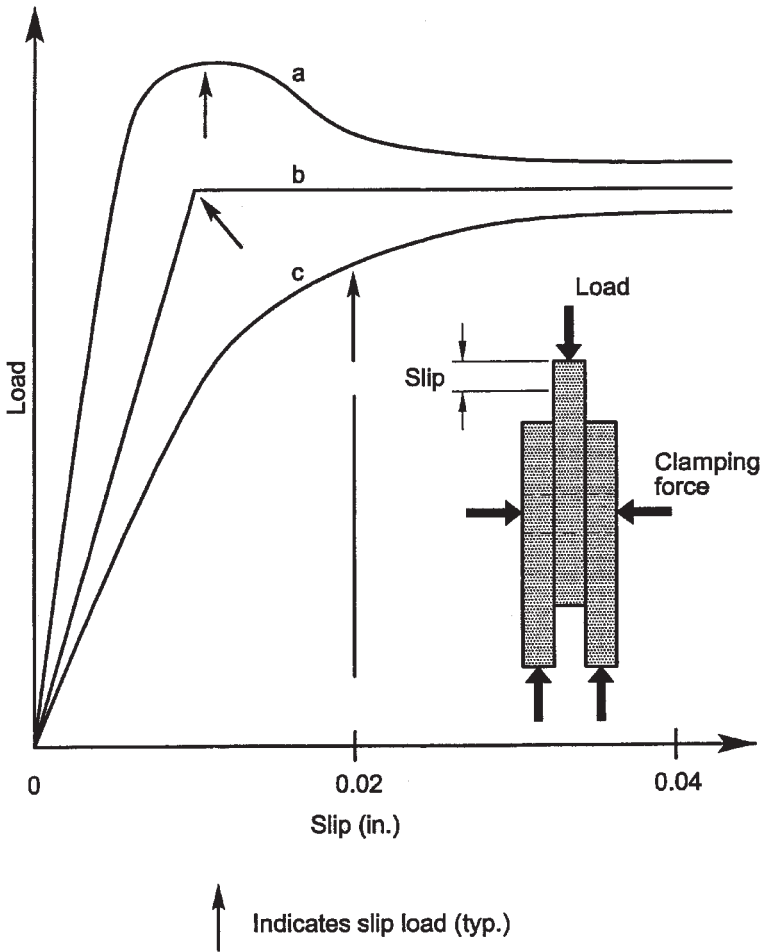


Figure A-4. Definition of slip load.

A3.5. Slip Coefficient

The slip coefficient for an individual specimen k_s shall be calculated as follows:
The *mean slip coefficient* μ for one set of five specimens shall be reported.

$$k_s = \frac{\text{slip load}}{2 \times \text{clamping force}} \quad (\text{Equation A3.1})$$

A3.6. Alternative Test Methods

Alternative test methods to determine slip are permitted, provided the accuracy of load measurement and clamping satisfies the conditions presented in the previous sections. For example, the slip load may be determined from a tension-type test setup rather than the compression-type test setup as long as the contact surface area per bolt of the test specimen is the same as that shown in Figure A1. The clamping force of at least 49 kips may be applied by any means, provided the force can be established within ± 1 percent.

Commentary:

Alternative test procedures and specimens may be used as long as the accuracy of load measurement and specimen geometry are maintained as prescribed. For example, strain-gaged bolts can usually provide the desired accuracy. However, bolts that are pretensioned by the turn-of-nut, calibrated wrench, alternative-design fastener, or direct-tension-indicator pretensioning method usually show too much variation to meet the ± 1 percent requirement of the slip test.

SECTION A4. TENSION CREEP TEST

The test method outlined is intended to ensure that the coating will not undergo significant creep deformation under sustained service loading. The test also indicates the loss in clamping force in the bolt due to the compression or creep of the coating. Three replicate specimens are to be tested.

Commentary:

The creep deformation of the bolted *joint* under the applied shear loading is also an important characteristic and a function of the coating applied. Thicker coatings tend to creep more than thinner coatings. Rate of creep deformation increases as the applied load approaches the slip load. Extensive testing has shown that the rate of creep is not constant with time, rather it decreases with time. After about 1,000 hours of loading, the additional creep deformation is negligible.

A4.1. Test Setup

Tension-type specimens, as shown in Figure A2, are to be used. The replicate specimens are to be linked together in a single chain-like arrangement, using loose pin bolts, so the same load is applied to all specimens. The specimens shall be assembled so the specimen plates are bearing against the bolt in a direction opposite to the applied tension loading. Care shall be taken in the assembly of the specimens to ensure the centerline of the holes used to accept the pin bolts is in line with the bolts used to assemble the *joint*. The load level, specified in Section A4.2, shall be maintained constant within ± 1 percent by springs, load maintainers, servo controllers, dead weight or other suitable equipment. The bolts used to clamp the specimens together shall be $\frac{7}{8}$ in. diameter ASTM A490 bolts. All bolts shall come from the same *lot*.

The clamping force in the bolts shall be a minimum of 49 kips. The clamping force shall be determined by calibrating the bolt force with bolt elongation, if standard bolts are used. Alternatively, special *fastener assemblies* that control the clamping force by other means, such as calibrated bolt torque or strain gages, are permitted. A minimum of three bolt calibrations shall be performed using the technique selected for bolt force determination. The average of the three-bolt calibration shall be calculated and reported. The method of measuring bolt force shall ensure the clamping force is within ± 2 kips of the average value.

The relative slip between the outside plates and the center plates shall be measured to an accuracy of 0.001 in. These slips are to be measured on both sides of each specimen.

A4.2. Test Procedure

The load to be placed on the creep specimens is the service load permitted for $\frac{7}{8}$ in. diameter ASTM A490 bolts in *slip-critical joints* in Section 5 for the particular slip coefficient category under consideration. The load shall be placed on the specimen and held for 1,000 hours. The creep deformation of a specimen is calculated using the average reading of the two displacements on either side of the specimen. The difference between the average after 1,000 hours and the initial average

reading taken within one-half hour after loading the specimens is defined as the creep deformation of the specimen. This value shall be reported for each specimen. If the creep deformation of any specimen exceeds 0.005 in., the coating has failed the test for the slip coefficient used. The coating may be retested using new specimens in accordance with this Section at a load corresponding to a lower value of slip coefficient.

If the value of creep deformation is less than 0.005 in. for all specimens, the specimens shall be loaded in tension to a load that is equal to the average clamping force times the design slip coefficient times 2, since there are two slip planes. The average slip deformation that occurs at this load shall be less than 0.015 in. for the three specimens. If the deformation is greater than this value, the coating is considered to have failed to meet the requirements for the particular *mean slip coefficient* used. The value of deformation for each specimen shall be reported.

Commentary:

See Commentary in Section A1.1

APPENDIX B. ALLOWABLE STRESS DESIGN (ASD) ALTERNATIVE

As an alternative to the load and resistance factor design provisions given in Sections 1 through 10, the following allowable stress design provisions are permitted. The provisions in Sections 1 through 10 in this Specification shall apply to ASD, except as follows:

B1.2 Loads, Load Factors and Load Combinations

The design and construction of the structure shall conform to an applicable allowable stress design specification for steel structures. When permitted in the applicable building code or specification, the allowable stresses in Section B5 are permitted to be increased to account for the effects of multiple transient loads in combination. When a load reduction factor is used to account for the effects of multiple transient loads in combination, the allowable stresses in Section B5 shall not be increased.

Commentary:

Although loads, load factors and load combinations are not explicitly specified in this Specification, the allowable stresses herein are based upon those specified in ASCE 7. When the design is governed by other load criteria, the allowable stresses specified herein shall be adjusted as appropriate.

SECTION B5. LIMIT STATES IN BOLTED JOINTS

The allowable shear strength and the allowable tensile strength of bolts shall be determined in accordance with Section B5.1. The interaction of combined shear and tension on bolts shall be limited in accordance with Section B5.2. The allowable bearing strength of the connected parts at bolt holes shall be determined in accordance with Section B5.3. Each of these allowable strengths shall be equal to or greater than the effect of the service loads. The axial load in bolts that are subject to tension or combined shear and tension shall be calculated with consideration of the externally applied tensile load and any additional tension resulting from *prying action* produced by deformation of the connected parts.

When slip resistance is required at the *faying surfaces* subject to shear or combined shear and tension, the slip resistance determined in accordance with Section B5.4 shall be equal to or greater than the effect of the service loads. In addition, the strength requirements in Sections B5.1, B5.2 and B5.3 shall also be met.

When bolts are subject to cyclic application of axial tension, the allowable stress determined in accordance with Section B5.5 shall be equal to or greater than the stress due to the effect of the service loads, including any additional tension resulting from *prying action* produced by deformation of the connected parts. In addition, the strength requirements in Sections B5.1, B5.2 and B5.3 shall also be met.

B5.1. Allowable Shear and Tensile Stresses

Shear and tensile strengths shall not be reduced by the installed bolt pretension. For *joints*, the allowable strength shall be based upon the allowable shear and

tensile stresses of the individual bolts and shall be taken as the sum of the allowable strengths of the individual bolts.

The allowable shear strength or allowable tensile strength for an ASTM A325, A490 or F1852 bolt is R_a , where:

$$R_a = F_a A_b \quad (\text{Equation B5.1})$$

where

R_a	=	allowable shear strength per shear plane or allowable tensile strength of a bolt, kips;
F_a	=	allowable stress from Table B5.1 for the appropriate applied load conditions, ksi, adjusted for the presence of fillers or shims as required below; and,
A_b	=	cross-sectional area based upon the nominal diameter of bolt, in. ²

When a bolt that carries load passes through fillers or shims in a shear plane that are equal to or less than $\frac{1}{4}$ in. thick, F_a from Table B5.1 shall be used without reduction. When a bolt that carries load passes through fillers or shims that are greater than $\frac{1}{4}$ in. thick, one of the following requirements shall apply:

- (1) For fillers or shims that are equal to or less than $\frac{3}{4}$ in. thick, F_a from Table B5.1 shall be multiplied by the factor $[1 - 0.4(t' - 0.25)]$, where t' is the total thickness of fillers or shims, in., up to $\frac{3}{4}$ in.;
- (2) The fillers or shims shall be extended beyond the *joint* and the filler extension shall be secured with enough bolts to uniformly distribute the total force in the connected element over the combined cross-section of the connected element and the fillers or shims;
- (3) The size of the *joint* shall be increased to accommodate a number of bolts that is equivalent to the total number required in (2) above; or
- (4) The *joint* shall be designed as a *slip-critical joint*. The slip resistance of the *joint* shall not be reduced for the presence of fillers or shims.

B5.2. Combined Shear and Tension Stress

When combined shear and tension loads are transmitted by an ASTM A325, A490 or F1852 bolt, the bolt shall be proportioned so that the tensile stress F_t , ksi, on the cross-sectional area based upon the nominal diameter of bolt A_b produced by forces applied to the connected parts, shall not exceed the values computed from the equations in Table B5.2, where f_v , the shear stress produced by the same forces, shall not exceed the value for shear determined in accordance with the requirements in Section B5.1.

Table B5.1. Allowable Stress in Bolts

Applied Load Condition		Allowable Stress F_a , ksi	
		ASTM A325 or F1852 Bolt	ASTM A490 Bolt
Tension ^a	Static	44	54
	Fatigue	See Section B5.5	
Shear ^{a,b}	Threads included in shear plane	21	28
	Threads excluded from shear plane	30	40

^a Except as required in Section B5.2.
^b In shear *connections* that transmit axial force and have length between extreme bolts measured parallel to the line of force exceeds 50 in., tabulated values shall be reduced by 20 percent.

Table B5.2. Allowable Tensile Stress F_t for Bolts Subject to Combined Shear and Tension

Thread Condition	Allowable Tensile Stress F_t , ksi	
	ASTM A325 or F1852 Bolt	ASTM A490 Bolt
Threads included in Shear plane	$\sqrt{(44)^2 - 4.39f_v^2}$	$\sqrt{(54)^2 - 3.71f_v^2}$
Threads excluded From shear plane	$\sqrt{(44)^2 - 2.15f_v^2}$	$\sqrt{(54)^2 - 1.82f_v^2}$

B5.3. Allowable Bearing at Bolt Holes

For *joints*, the allowable bearing strength shall be taken as the sum of the strengths of the connected material at the individual bolt holes.

The allowable bearing strength of the connected material at a standard bolt hole, oversized bolt hole, short-slotted bolt hole independent of the direction of loading or long-slotted bolt hole with the slot parallel to the direction of the bearing load is R_a , where:

- (1) when deformation of the bolt hole at service load is a design consideration;

$$R_a = 0.6L_c t F_u \leq 1.2d_b t F_u \quad (\text{Equation B5.2})$$

- (2) when deformation of the bolt hole at service load is not a design consideration;

$$R_a = 0.75L_c t F_u \leq 1.5d_b t F_u \quad (\text{Equation B5.3})$$

The allowable bearing strength of the connected material at a long-slotted bolt hole

with the slot perpendicular to the direction of the bearing load is R_a , where:

$$R_a = 0.5L_c t F_u \leq d_b t F_u \quad (\text{Equation B5.4})$$

In Equations B5.2, B5.3 and B5.4,

- R_a = allowable bearing strength of the connected material, kips;
 F_u = specified minimum tensile strength (per unit area) of the connected material, ksi;
 L_c = clear distance, in the direction of load, between the edge of the hole and the edge of the adjacent hole or the edge of the material, in.;
 d_b = nominal bolt diameter, in.; and,
 t = thickness of the connected material, in.

B5.4. Allowable Slip Resistance

The allowable slip resistance is R_a , where:

$$R_a = H\mu DT_m N_b \left(1 - \frac{T}{DT_m N_b} \right) \quad (\text{Equation B5.5})$$

where

- H = 1.0 for standard holes
 = 0.85 for oversized and short-slotted holes
 = 0.70 for long-slotted holes perpendicular to the direction of load
 = 0.60 for long-slotted holes parallel to the direction of load;
 μ = *mean slip coefficient* for Class A, B or C faying surfaces, as applicable, or as established by testing in accordance with Appendix A (see Section 3.2.2(b))

Table B5.3. Allowable Stress for Fatigue Loading

Number of Cycles	Maximum Bolt Stress for Design at Service Loads ^a , ksi	
	ASTM A325 or F1852 Bolt	ASTM A490 Bolt
Not more than 20,000	44	54
From 20,000 to 500,000	40	49
More than 500,000	31	38

^a Including the effects of *prying action*, if any, but excluding the pretension.

=	0.33 for Class A <i>faying surfaces</i> (uncoated clean mill scale steel surfaces or surfaces with Class A coatings on blast cleaned steel)
=	0.50 for Class B surfaces (uncoated blast-cleaned steel surfaces or surfaces with Class B coatings on blast-cleaned steel)
=	0.35 for Class C surfaces (roughened hot-dip galvanized surfaces);
D =	0.80, a slip probability factor that reflects the distribution of actual slip coefficient values about the mean, the ratio of measured bolt tensile strength to the specified minimum values, and a slip probability level; the use of other values of <i>D</i> shall be approved by the <i>Engineer of Record</i> ;
T_m =	specified minimum bolt pretension (for pretensioned joints as specified in Table 8.1), kips;
N_b =	number of bolts in the joint; and,
T =	applied service load in tension (tensile component of applied service load for combined shear and tension loading), kips
=	zero if the joint is subject to shear only

B5.5. Tensile Fatigue

The tensile stress in the bolt that results from the cyclic application of externally applied service loads and the prying force, if any, but not the pretension, shall not exceed the stress in Table B5.3. The nominal diameter of the bolt shall be used in calculating the bolt stress. The connected parts shall be proportioned so that the calculated prying force does not exceed 30 percent of the externally applied load. *Joints* that are subject to tensile fatigue loading shall be pretensioned in accordance with Section 4.2 or slip-critical in accordance with Section 4.

REFERENCES

- Allen, R.N. and J.W. Fisher, 1968, "Bolted Joints With Oversize or Slotted Holes," *Journal of the Structural Division*, Vol. 94, No. ST9, September, ASCE, Reston, VA.
- American Institute of Steel Construction, 1999, *Load and Resistance Factor Design (LRFD) Specification for Structural Steel Buildings*, AISC, Chicago, IL.
- Birkemoe, P.C. and D.C. Herrschaft, 1970, "Bolted Galvanized Bridges—Engineering Acceptance Near," *Civil Engineering*, April, ASCE, Reston, VA.
- Carter, C.J., R.H.R. Tide and J.A. Yura, 1997, "A Summary of Changes and Derivation of LRFD Bolt Design Provisions," *Engineering Journal*, Vol. 34, No. 3, (3rd Qtr.), AISC, Chicago, IL.
- Carter, C.J., 1996, "Specifying Bolt Length for High-Strength Bolts," *Engineering Journal*, Vol. 33, No. 2, (2nd Qtr.), AISC, Chicago, IL.
- Chesson, Jr., E, N.L. Faustino and W.H. Munse, 1965, "High-Strength Bolts Subjected to Tension and Shear," *Journal of the Structural Division*, Vol. 91, No. ST5, October, ASCE, Reston, VA.
- Fisher, J.W. and J.L. Rumpf, 1965, "Analysis of Bolted Butt Joints," *Journal of the Structural Division*, Vol. 91, No. ST5, October, ASCE, Reston, VA.
- Frank, K.H. and J.A. Yura, 1981, "An Experimental Study of Bolted Shear Connections," FHWA/RD-81/148, December, Federal Highway Administration, Washington, D.C.
- Kulak, G.L., J.W. Fisher and J.H.A. Struik, 1987, *Guide to Design Criteria for Bolted and Riveted Joints*, Second Edition, John Wiley & Sons, New York, NY.
- Kulak, G.L. and P.C. Birkemoe, 1993, "Field Studies of Bolt Pretension," *Journal of Constructional Steel Research*, No. 25, pp. 95-106.
- Kulak, G.L. and S.T. Undershute, 1998, "Tension Control Bolts: Strength and Installation," *Journal of Bridge Engineering*, Vol. 3 No. 1, February, ASCE, Reston, VA.
- Manuel, T.J. and G.L. Kulak, 2000, "Strength of Joints that Combine Bolts and Welds," *Journal of Structural Engineering*, Vol. 126, No. 3, March, ASCE, Reston, VA.
- McKinney, M. and F.J. Zwerneman, 1993, "The Effect of Burrs on the Slip Capacity in

Multiple Bolt Connections,” *Final Report to the Research Council on Structural Connections*, August.

Munse, W. H., 1967, “Structural Behavior of Hot Galvanized Bolted Connections,” *Proceedings of the 8th International Conference on Hot-dip Galvanizing*, June, London, England.

Polyzois, D. and K.H. Frank, 1986, “Effect of Overspray and Incomplete Masking of Faying Surfaces on the Slip Resistance of Bolted Connections,” *Engineering Journal*, Vol. 23, No. 2, (2nd Qtr), AISC, Chicago, IL.

Polyzois, D. and J.A. Yura, 1985, “Effect of Burrs on Bolted Friction Connections,” *Engineering Journal*, Vol.22, No. 3, (3rd Qtr), AISC, Chicago, IL.

Schnupp, K. O.; Murray, T. M. (2003), "Effects of Head Size on the Performance of Twist-Off Bolts," Virginia Polytechnic Institute and State University, CC/VTI-ST 03/09, July 2003.

Sherman, D.R. and J.A. Yura, 1998, “Bolted Double-Angle Compression Members,” *Journal of Constructional Steel Research*, 46:1-3, Paper No. 197, Elsevier Science Ltd., Kidlington, Oxford, UK.

SSPC, 1993, *Steel Structures Painting Manual*, Vol. 1, Third Edition, SSPC: The Society for Protective Coatings, Pittsburgh, PA.

SSPC, 1991, *Steel Structures Painting Manual*, Vol. 2, Sixth Edition, SSPC: The Society for Protective Coatings, Pittsburgh, PA.

Yura, J.A. and K.H. Frank, 1985, “Testing Method to Determine Slip Coefficient for Coatings Used in Bolted Joints,” *Engineering Journal*, Vol. 22, No. 3, (3rd Qtr.), AISC, Chicago, IL.

Yura, J.A., K.H. Frank and L. Cayes, 1981, “Bolted Friction Connections with Weathering Steel,” *Journal of the Structural Division*, Vol. 107, No. ST11, November, ASCE, Reston, VA.

INDEX

Alternative-design fasteners	14
Alternative washer-type indicating device	13
Arbitration	57
Bearing, design strength	32
Bolt holes	
Design bearing strength at	32
Use of	20
Bolt pretensioning	
Using calibrated wrench pretensioning	49
Using direct-tension-indicator pretensioning	51
Using turn-of-nut pretensioning	48
Using twist-off-type tension-control bolt pretensioning	50
Bolted joints, limit states in	28
Bolted parts	16
Bolts	
Alternative-design fasteners	14
Geometry	6
Heavy-hex structural	6
Reuse	7
Specifications	6
Twist-off-type tension-control bolt assemblies	14
Burrs	22
Calibrated wrench pretensioning	
Inspection of	55
Installation using	49
Use of washers in	40
Calibrator, tension	43
Certification of fastener components, manufacturer	5
Coatings	
On faying surfaces	16
Testing method to determine the slip coefficient for	59
Combined shear and tension	32
Components, fastener	5
Compressible-washer-type direct tension indicators	13
Connected plies	16
Design	
Bearing strength at bolt holes	32
Combined shear and tension	32
General	28
Shear strength	29
Slip resistance	34
At the factored-load level	34
At the service-load level	35
Tensile fatigue	38
Tensile strength	29

Direct tension indicators

Compressible-washer-type, general	13
Inspection of	55
Installation using	51
Use of washers with	40

Drawing information3**Fasteners**

Alternative-design	14
Manufacturer certification of	5
Storage of	5

Fatigue, tensile38**Faying surfaces16**

Coated	16
Galvanized	17
In pretensioned joints	16
In slip-critical joints	16
In snug-tightened joints	16
Uncoated	16

Galvanized faying surfaces17**General requirements1****Geometry**

Bolts	6
Nuts	12
Twist-off-type tension-control bolt assemblies	14

Heavy-hex nuts12**Heavy-hex structural bolts6****Holes**

Bolt	20
Long-slotted	21
Oversized	21
Oversized, use of washers with	40
Short-slotted	21
Slotted, use of washers with	40
Standard	20

Indicating devices

Alternative washer-type	13
Twist-off-type tension-control bolt assemblies	14
Washer-type	13

Inspection53

Of calibrated wrench pretensioning	55
Of direct-tension-indicator pretensioning	55
Of pretensioned joints	53
Of slip-critical joints	56
Of snug-tightened joints	53
Of turn-of-nut pretensioning	54
Of twist-off-type tension-control bolt pretensioning	55

Installation

In pretensioned joints	46
----------------------------------	----

In slip-critical joints	46
In snug-tightened joints	46
Using calibrated wrench pretensioning	49
Using direct-tension-indicator pretensioning	51
Using turn-of-nut pretensioning	48
Using twist-off-type tension-control bolt pretensioning	50
Joints	
Limit states in	28
Pretensioned	25
Faying surfaces in	16
Inspection of	53
Installation in	46
Slip-critical	26
Faying surfaces in	16
Inspection of	56
Installation in	46
Snug-tightened	25
Faying surfaces	16
Inspection of	53
Installation in	46
Type	23
Limit states in bolted joints	28
Loads	1
Combinations	1
Factors	1
Long-slotted holes	21
Manufacturer certification of fastener components	5
Nuts	
Geometry	12
Heavy-hex	12
Specifications	12
Oversized holes	
General	21
Use of washers with	40
Parts, bolted	16
Plies, connected	16
Pre-installation verification	43
Pretensioned joints	
Faying surfaces in	16
General	25
Inspection of	53
Installation in	46
Use of washers in	40
Using calibrated wrench pretensioning	49
Using direct-tension-indicator pretensioning	51
Using turn-of-nut pretensioning	48
Using twist-off-type tension-control bolt pretensioning	50

References75
Requirements, general1
Reuse, bolts7
Shear, design strength29
Short-slotted holes21
Slip coefficient for coatings, testing to determine59
Slip-critical joints	
Faying surfaces in16
General26
Inspection of56
Installation in46
Use of washers in40
Slip resistance34
Slotted hole, use of washers with40
Snug-tightened joints	
Faying surfaces in16
General25
Inspection of53
Installation in46
Use of washers in40
Specifications	
Bolts6
General2
Nuts12
Twist-off-type tension-control bolt assemblies14
Washers13
Standard holes20
Standards2
Storage of fastener components5
Strength	
Combined shear and tension32
Design bearing32
Shear29
Slip resistance34
Tensile29
Tensile fatigue38
Surfaces, faying16
Tensile design strength29
Tensile fatigue38
Tension calibrator43
Testing, slip coefficient for coatings59
Turn-of-nut pretensioning	
Inspection of54
Installation using48
Twist-off-type tension-control bolt assemblies	
Geometry14
Inspection of55

Installation using50
Specifications14
Use of washers in40
Uncoated faying surfaces16
Use of washers40
Verification, pre-installation43
Washers	
General13
In pretensioned joints40
In slip-critical joints40
In snug-tightened joints40
Use of40
Washer-type indicating devices13



RESEARCH COUNCIL ON STRUCTURAL CONNECTIONS
www.boltcouncil.org

c/o American Institute of Steel Construction, Inc.
One East Wacker Drive, Suite 3100, Chicago, Illinois 60601-2001

Pub. No. S348 (2M205)